

Thermrad

Technical brochure





Designers of comfort

Thermrad has been offering heating solutions for every living or working situation for 30 years. From the start, our brand has focused on traditional and high quality affordable panel radiators. We keep on innovating to live up to market demands today and in the future. That's why our product range keeps expanding and we grew to be an important player on the radiator market.

DESIGN AND INNOVATION FROM YEARS OF EXPERIENCE

Our broad assortment consists of panel radiators, design radiators, towel radiators and a complete high-end underfloor heating system. We offer a large range of over 1,000 varieties of luxurious, attractive design radiators. Nearly all of them are directly available from stock, shipped within one or several days. Therefore, Thermrad is able to offer a solution for every size, capacity or installation and is always compatible with traditional heating systems or low temperature systems.



Broad range

We have over 1,000 sizes in stock, from steel and aluminium to electric and from design to traditional.



Flexible installation

Our radiators can be installed in many different ways. Because of the various connection options, we have a solution for pretty much every situation.



Fast shipment

Because we have most of our assortment on stock, shipping doesn't take weeks but just a few days, varying per product.



Control panel of the air conditioning unit, featuring a digital display showing '21.5' and several buttons.

- Home icon
- Mode icons (fan, sun, moon, snowflake)
- Temperature display: 21.5
- Power button
- Mode selection buttons
- Temperature adjustment buttons (+ and -)

Index

Horizontal radiators	6	Towel radiators	52
Compact-4 Plus	7	Core-4	53
Compact-4 Plateau	11	Core-6	56
QuattroBoost	14	Tone	58
Compact-6 Plateau Hybrid	19	Lina	60
Super-8 Compact	23	Core-E	62
Super-8 Plateau	27	Tone-E	64
Super-8 Compact 200	30	Towel radiator accessories	66
Super-8 Plateau 200	30		
Super-8 Sani Coat	32	Underfloor heating	68
AluBasic	34	Distributor Standard	69
Horizontal radiator accessories	37	Distributor Brass	70
		Distributor Composite Industrial	71
Vertical radiators	38	Distributor Composite LTV	72
Vertical Compact	39	Distributor Separate System	73
Vertical Plateau	39	Pipe underfloor heating	74
Vertical Line Plateau	39	Underfloor heating assembly systems	75
Vertical Plateau-E	42		
AluStyle Plus	44	Control system	78
AluSoft	46		
AluSoft-E	48		
Vertical radiator accessories	51		

Horizontal radiators





Compact-4 Plus

The Thermrad Compact-4 Plus is a classic panel radiator, used in situations where a base connection isn't an option. This series is provided with a decorative casing, side trim and is very well priced for a system with four 1/2" connections.

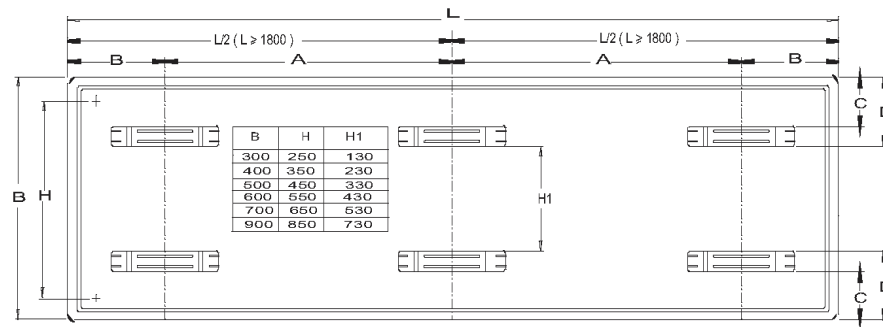
The heat transmitting decorative casing doesn't just make it look good, but also covers any sharp edges and the top.

This makes the radiator safe for children and a perfect choice for schools and healthcare institutions.

The Thermrad Compact-4 Plus is the ideal choice when it comes to replacing or renovating side connected radiators. Every radiator is delivered with L-consoles for quick and invisible wall mounting.

Heat emission	According to the European Standard EN442
Material	Cold rolled steel according to EN10130 Surface treatment in 5 phases: <ul style="list-style-type: none"> • Alkaline degreasing • Phosphating • Cathodic priming • Epoxy powder coating • Powder coating at 210°C White RAL 9016
Color	
Maximum operating temperature	110°C
Work pressure	10 bar
Molding pressure	13 bar
Connections	4x 1/2"
Heights	300 – 400 – 500 – 600 – 700 – 900 mm
Types	Type 11 – 21 – 22 – 33
Warranty	10 years on manufacturing errors, only when the radiator is used under normal circumstances in a heating system using warm water
Delivered including	<ul style="list-style-type: none"> • Top grid and side panels • Suspension strips and L-consoles • Hexagon head wood screws and wall plugs • Blind plug, air vent and siphon
Fixed 100 Watt price	Order No. 9188913, super-fast calculation

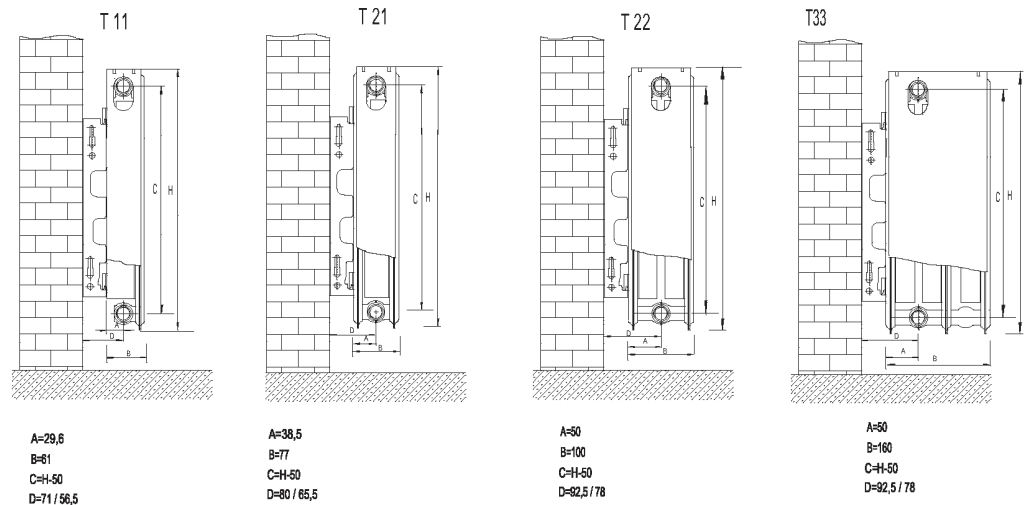
Position of the suspension strips and available in sizes (in mm)



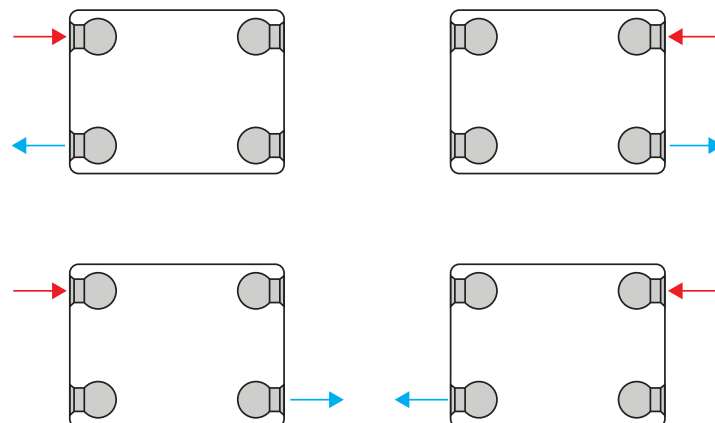
Length radiator	A	B	C	D	Brackets
400	134	133	60	85	2
500	234	133	60	85	2
600	334	133	60	85	2
700	434	133	60	85	2
800	534	133	60	85	2
900	634	133	60	85	2
1000	734	133	60	85	2
1100	834	133	60	85	2
1200	934	133	60	85	2
1400	1134	133	60	85	2
1600	1334	133	60	85	2

Length radiator	A	B	C	D	Brackets
1800	767	133	60	85	3
2000	867	133	60	85	3
2200	967	133	60	85	3
2400	1067	133	60	85	3
2600	1167	133	60	85	3
2700	1217	133	60	85	3
2800	1267	133	60	85	3
3000	1367	133	60	85	3

Side views



Connections



Type		11			21			22			33		
Height	Length	Watt			Watt			Watt			Watt		
		EN442 55/45/20 °C			EN442 55/45/20 °C			EN442 55/45/20 °C			EN442 55/45/20 °C		
		EN442 75/65/20 °C			EN442 75/65/20 °C			EN442 75/65/20 °C			EN442 75/65/20 °C		
		Order No.			Order No.			Order No.			Order No.		
300	500	9721305	268	139	9723305	393	201	9724305	492	251			
	600							9724306	590	302			
	800	9721308	429	222	9723308	629	321	9724308	787	402	9725308	1118	575
	1000	9721310	536	278	9723310	786	401	9724310	983	503	9725310	1398	719
	1200	9721312	643	334	9723312	943	481	9724312	1180	603	9725312	1678	862
	1400	9721314	750	389	9723314	1100	562	9724314	1377	704	9725314	1957	1006
	1600	9721316	858	445	9723316	1258	642	9724316	1573	804	9725316	2237	1150
	1800	9721318	965	501	9723318	1415	722	9724318	1770	905	9725318	2516	1293
	2000	9721320	1072	556	9723320	1572	802	9724320	1967	1005	9725320	2796	1437
	2200							9724322	2164	1106			
	2400							9724324	2361	1206	9725324	3355	1725
	2600							9724326	2557	1307	9725326	3635	1868
	2800							9724328	2754	1408			
	3000							9724330	2949	1508			
400	400	9721404	282	146	9723404	402	204	9724404	503	256			
	500	9721405	353	183	9723405	502	256	9724405	630	320			
	600	9721406	423	219	9723406	602	307	9724406	755	384	9725406	1075	550
	700	9721407	494	256				9724407	881	448			
	800	9721408	564	292	9723408	803	409	9724408	1007	512	9725408	1433	734
	900	9721409	635	329				9724409	1134	576			
	1000	9721410	705	365	9723410	1004	511	9724410	1259	640	9725410	1791	917
	1100							9724411	1385	704			
	1200	9721412	846	438	9723412	1205	613	9724412	1511	768	9725412	2150	1101
	1400	9721414	987	511	9723414	1405	716	9724414	1763	896	9725414	2508	1284
	1500							9724415	1889	960			
	1600	9721416	1128	584	9723416	1606	818	9724416	2015	1024	9725416	2866	1468
	1800	9721418	1269	657	9723418	1807	920	9724418	2266	1152	9725418	3224	1651
	2000	9721420	1410	730	9723420	2008	1022	9724420	2518	1281	9725420	3583	1835
	2200				9723422	2209	1125	9724422	2771	1409	9725422	3941	2018
	2400	9721424	1692	876	9723424	2409	1227	9724424	3022	1537			
	2600				9723426	2610	1329	9724426	3274	1665			
	2800				9723428	2811	1431	9724428	3526	1793			
	3000	9721430	2115	1095	9723430	3012	1533	9724430	3778	1921			
500	400	9721504	346	179	9723504	482	245	9724504	605	306			
	500	9721505	432	223	9723505	603	306	9724505	757	383	9725505	1077	549
	600	9721506	518	268	9723506	724	368	9724506	908	459	9725506	1292	659
	700							9724507	1059	536	9725507	1510	769
	800	9721508	690	357	9723508	965	490	9724508	1210	612	9725508	1726	879
	900							9724509	1362	689			
	1000	9721510	863	447	9723510	1206	613	9724510	1513	765	9725510	2157	1099
	1100							9724511	1664	842	9725511	2373	1209
	1200	9721512	1036	536	9723512	1447	735	9724512	1816	918	9725512	2588	1319
	1400	9721514	1209	625	9723514	1688	858	9724514	2118	1071	9725514	3020	1538
	1500							9724515	2269	1148			
	1600	9721516	1382	715	9723516	1930	980	9724516	2421	1224	9725516	3451	1758
	1800	9721518	1554	804	9723518	2171	1103	9724518	2723	1377			
	2000	9721520	1727	893	9723520	2412	1225	9724520	3026	1530	9725520	4314	2198
	2200	9721522	1900	982				9724522	3329	1683			
	2400	9721524	2072	1072	9723524	2894	1470	9724524	3631	1836	9725524	5177	2637
2600	9721526	2245	1161				9724526	3934	1989				
2800							9724528	4236	2142				
3000							9724530	4539	2295				
600	400	9721604	406	209	9723604	558	283	9724604	699	351			
	500	9721605	507	262	9723605	698	353	9724605	874	439			
	600	9721606	608	314				9724606	1048	527	9725606	1490	758
	700	9721607	710	366	9723607	977	495	9724607	1223	615	9725607	1739	884
	800	9721608	811	419	9723608	1116	565	9724608	1397	703	9725608	1987	1011
	900	9721609	913	471	9723609	1256	636	9724609	1573	791			
	1000	9721610	1014	523	9723610	1395	707	9724610	1747	879	9725610	2484	1263
	1100							9724611	1922	966			
	1200	9721612	1217	628	9723612	1674	848	9724612	2097	1054	9725612	2981	1516
	1400	9721614	1420	732	9723614	1953	990	9724614	2446	1230			
	1500							9724615	2620	1318			
	1600	9721616	1622	837	9723616	2232	1131	9724616	2796	1406	9725616	3974	2021
	1800	9721618	1825	942	9723618	2511	1272	9724618	3145	1581	9725618	4471	2274
	2000	9721620	2028	1046	9723620	2790	1414	9724620	3494	1757			
	2200	9721622	2231	1151				9724622	3844	1933			
	2400	9721624	2434	1256				9724624	4193	2109			
	2600							9724626	4543	2284			
3000							9724630	5241	2636				
700	400	9721704	461	238				9724704	785	395			
	500	9721705	577	297	9723705	785	395	9724705	982	494	9725705	1394	707
	600	9721706	692	357	9723706	942	475	9724706	1178	592	9725706	1673	849
	700							9724707	1374	691	9725707	1952	990
	800	9721708	922	476	9723708	1256	633	9724708	1570	790	9725708	2230	1132
	900							9724709	1767	889			
	1000	9721710	1153	595	9723710	1570	791	9724710	1963	987	9725710	2788	1415
	1100							9724711	2159	1086			
	1200	9721712	1384	714	9723712	1884	949	9724712	2356	1185	9725712	3346	1698
	1400							9724714	2749	1382			
	1600	9721716	1845	951				9724716	3141	1580			
	1800							9724718	3533	1777			
2000							9724720	3926	1974				
900	400	9721904	561	289	9723904	754	376	9724904	937	471	9725904	1326	670
	500	9721905	701	361	9723905	943	469	9724905	1172	589	9725905	1658	837
	600	9721906	841	433	9723906	1132	563	9724906	1406	707	9725906	1990	1005
	700				9723907	1320	657	9724907	1641	825	9725907	2322	1172
	800	9721908	1122	578	9723908	1509	751	9724908	1875	943	9725908	2653	1340
	900							9724909	2110	1061	9725909	2985	1507
	1000	9721910	1402	722	9723910	1886	939	9724910	2344	1179	9725910	3316	1675
	1200							9724912	2813	1414	9725912	3979	2010
	1400							9724914	3281	1650			
	1600							9724916	3749	1886			



2 thermrad 3



Compact-4 Plateau

The Thermrad Compact-4 Plateau has 4 connections and is perfect for situations where a base connection isn't an option. Because of its fair price and high heat emission, this radiator is a great choice for any renovation or building project.

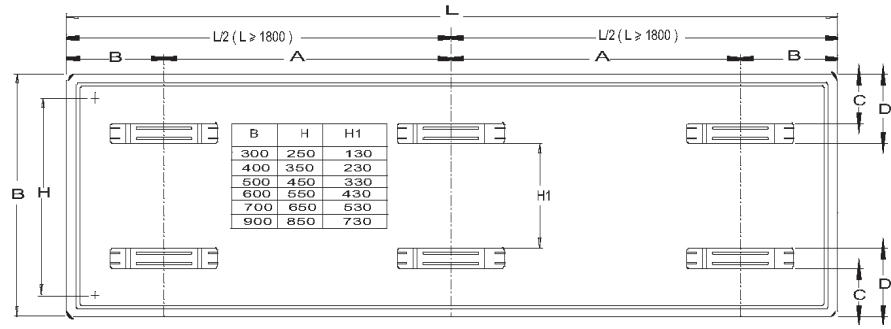
The Thermrad Compact-4 Plateau fits in with any interior because of its flat design and sleek finished decorative frame

and side panels. The heat transmitting decorative casing doesn't just make it look good, but also covers any sharp edges and the top. Are you looking for an affordable panel radiator with a luxurious touch? In that case, the Thermrad Compact-4 Plateau is the best choice for you.

Every radiator is delivered with L-panels for quick and invisible wall mounting. The flat front panel is permanently fixed to the radiator, so it cannot be replaced in case of damage or restoration.

Heat emission	According to the European Standard EN442
Material	Cold rolled steel according to EN10130 Surface treatment in 5 phases: <ul style="list-style-type: none"> • Alkaline degreasing • Phosphating • Cathodic priming • Epoxy powder coating • Powder coating at 210°C White RAL 9016
Color	White RAL 9016
Maximum operating temperature	110°C
Work pressure	10 bar
Molding pressure	13 bar
Connections	4x 1/2"
Heights	300 – 400 – 500 – 600 – 700 – 900 mm
Types	Type 11 – 21 – 22 – 33
Warranty	10 years on manufacturing errors, only when the radiator is used under normal circumstances in a heating system using warm water
Delivered including	<ul style="list-style-type: none"> • Top grid and side panels • Suspension strips and L-panels • Hexagon head wood screws and wall plugs • Blind plug, air vent and siphon
Fixed 100 Watt price	Order No. 9720028, super-fast calculation

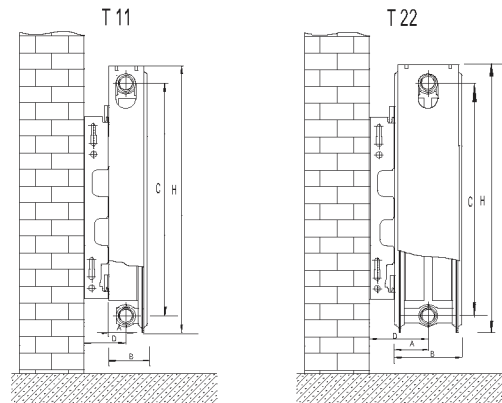
Position of the suspension strips and available in sizes (in mm)



Length radiator	A	B	C	D	Brackets
400	134	133	60	85	2
500	234	133	60	85	2
600	334	133	60	85	2
700	434	133	60	85	2
800	534	133	60	85	2
900	634	133	60	85	2
1000	734	133	60	85	2
1100	834	133	60	85	2
1200	934	133	60	85	2
1400	1134	133	60	85	2
1600	1334	133	60	85	2

Length radiator	A	B	C	D	Brackets
1800	767	133	60	85	3
2000	867	133	60	85	3
2200	967	133	60	85	3
2400	1067	133	60	85	3
2600	1167	133	60	85	3
2700	1217	133	60	85	3
2800	1267	133	60	85	3
3000	1367	133	60	85	3

Side views

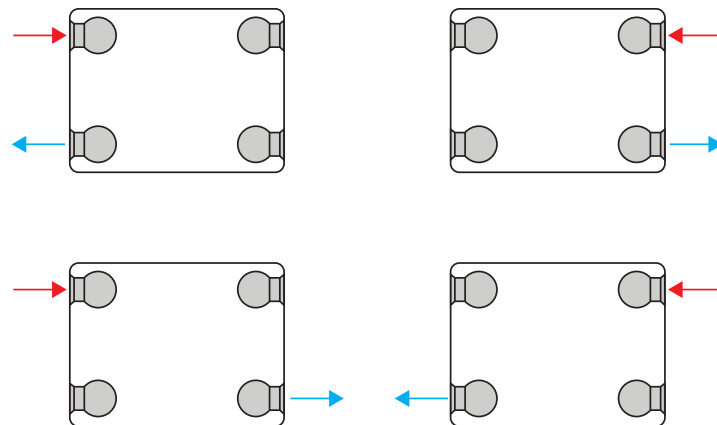


D = Distance at assembly on the short (23mm) or long (37,5mm) side of the L-console

A=29,6
B=61
C=H-50
D=71 / 56,5

A=50
B=100
C=H-50
D=82,5 / 78

Connections



Type		11			22		
Height	Lengte	Watt			Watt		
		EN442 55/45/20 °C			EN442 55/45/20 °C		
		EN442 75/65/20 °C			EN442 75/65/20 °C		
		Order No.			Order No.		
300	800				9728308	735	378
	1000				9728310	919	473
	1200				9728312	1103	567
	1400				9728314	1287	662
	1600				9728316	1470	757
	1800				9728318	1654	851
	2000				9728320	1838	946
	2800				9728324	2206	1135
					9728328	2573	1324
400	500	9726405	299	156	9728405	583	298
	600	9726406	359	187	9728406	700	358
	700				9728407	816	418
	800	9726408	478	250	9728408	933	477
	900				9728409	1049	537
	1000	9726410	598	312	9728410	1166	597
	1100				9728411	1283	656
	1200	9726412	718	375	9728412	1399	716
	1400	9726414	837	437	9728414	1632	835
	1600	9726416	957	499	9728416	1866	954
	1800	9726418	1076	562	9728418	2099	1074
	2000	9726420	1196	624	9728420	2332	1193
	2200				9728422	2565	1312
	2400				9728424	2798	1432
	2600				9728426	3032	1551
	2800				9728428	3265	1670
500	400	9726504	290	151			
	500	9726505	363	189	9728505	695	354
	600	9726506	435	227	9728506	834	424
	700	9726507	508	265	9728507	973	495
	800	9726508	580	303	9728508	1112	566
	900				9728509	1251	636
	1000	9726510	725	378	9728510	1390	707
	1100				9728511	1529	778
	1200	9726512	870	454	9728512	1668	848
	1400	9726514	1015	530	9728514	1946	990
	1600	9726516	1160	605	9728516	2224	1131
	1800	9726518	1305	681	9728518	2502	1273
	2000	9726520	1450	757	9728520	2780	1414
	2200				9728522	3058	1556
	2400				9728524	3336	1697
	2600				9728526	3614	1838
2800				9728528	3982	1980	
3000				9728530	4170	2121	
600	500	9726605	425	222	9728605	796	403
	600	9726606	510	266	9728606	955	483
	700	9726607	595	310	9728607	1114	564
	800	9726608	680	355	9728608	1274	644
	900				9728609	1433	725
	1000	9726610	850	443	9728610	1592	805
	1100				9728611	1751	886
	1200	9726612	1020	532	9728612	1910	966
	1400	9726614	1190	621	9728614	2229	1127
	1600	9726616	1360	710	9728616	2547	1288
	1800				9728618	2866	1449
2000				9728620	3184	1610	
700	400				9728704	710	359
	500	9726705	487	253	9728705	887	449
	600	9726706	584	304	9728706	1064	538
	700				9728707	1242	628
	800	9726708	779	405	9728708	1419	718
	900				9728709	1597	808
1000	9726710	974	507	9728710	1774	897	
900	400	9726904	488	253	9728904	834	422
	500	9726905	611	316	9728905	1042	527
	600	9726906	733	379	9728906	1250	633
	700				9728907	1459	738
	800	9726908	977	505	9728900	1667	844
	900				9720909	1876	949
1000				9720910	2084	1055	



QuattroBoost

The QuattroBoost fan set is specifically tailored to the Thermrad Compact-4 Plus and Plateau radiators. The Fan strengthens the air flow (convection) so that the heat output from your radiator is distributed better and faster in your living space.

The fan set has been developed for situations in which you are going to heat the boiler at a lower temperature or will/want to switch to a (hybrid) heat pump. From that moment on, you will heat your space in a more energy-efficient way, but then the radiator also delivers less heat. This can be a problem during the cold winter days. The perfect solution is a QuattroBoost fan set! With this set, tailored to the length of your Thermrad Compact-4 radiator, you can increase the heat output by 60% so that you are still comfortably warm.

Advantages

- Improved comfort experience
- Not visibly mounted
- Whisper quiet (32dB at full power)
- Works automatically, no operation required
- Keep your radiator when switching to (hybrid) heat pump
- Up to 60% higher efficiency of your radiator^(*)

^(*) Based on heating line 55/45/20°C and hydronic balanced.

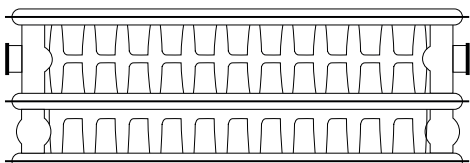
Suitable for

QuattroBoost is made to fit the Thermrad Compact-4 models, types 22 and 33.

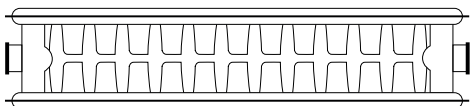
QuattroBoost can be used to cool your space, this is very pleasant on the warmer days of the year. Pay close attention to following the Installation instructions. If you want to be able to cool, pay extra attention to the instructions on the direction of flow and the manner in which the radiator is connected to the pipes.



Type 33



Type 22



db(A)	Decibel Effect	Examples
10	Barely audible	Healthy hearing threshold, A pin dropping
20	Inaudible	Rustling leaves
30	Very Quiet	Whisper
40	Quiet	A babbling brook, Computer, Refrigerator
50	Fairly Quiet	Conversational speech, Airconditioner, Dishwasher

Noise level

The fan works automatically, with two temperature sensors (one inside the radiator, one outside the radiator).

That means: 1) fan starts, as soon as the radiator heats up; 2) that it turns faster as the temperature difference increases; 3) that it turns off as soon as the temperature difference has disappeared.

At maximum power, the QuattroBoost is very silent with a measured noise level of only 32dB!

Comparison with alternative heat systems

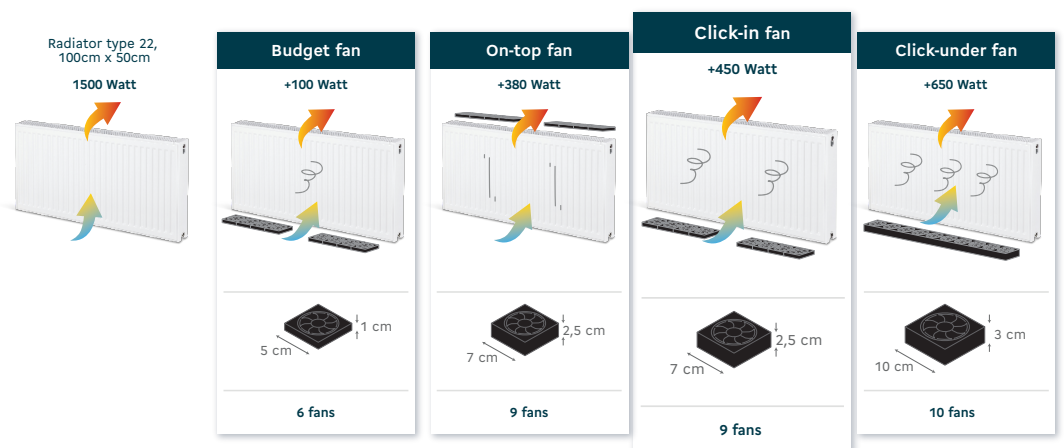
Getting your home ready for the heat pump doesn't always have to be a big long-term project. Radiator fans offer a number of important advantages over other heat systems.

- Underfloor heating** To apply underfloor heating, the floor will have to be broken open. This makes a Renovation necessary.
- Bigger radiator** A larger radiator, for example with 3 plates, can be difficult to make to fit. In addition, it is a heavier object that needs to be lifted into place.
- Infrared panel** IR panels only give a warm feeling to the specific location they are aimed at. The objects in the room itself do not heat up, resulting in reduced comfort.
- Radiatorfans** The above-mentioned disadvantages do not apply to the fan sets: the radiator remains so that no major renovation is required. The cosy radiant heat of the radiator is retained. The QuattroBoost are easy to use with a Installation time of just a few minutes.

Comparison with other fan sets

The QuattroBoost achieves an optimal combination of heat dissipation and aesthetics. That's because of some clever Design Choices.

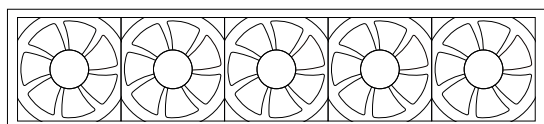
- Placement underneath:** QuattroBoost fans are placed underneath the radiator. That gives a whirlwind airflow, which absorbs a lot of heat. As opposed to placement on top of the radiator, which gives an upright airflow and less heat transfer
- Placement internally** QuattroBoost is placed internally. That gives a calm view and that is also pleasant, for example, while vacuuming
- Fan size** The QuattroBoost sets are made to fit perfectly for any length Thermrad Compact-4 radiator: with the maximum size of the individual fans and as many as possible fans per meter of radiator. As a result, the highest yield (in Watts) is obtained from the existing radiator arrangement. And completely out of sight!
- Automatic operation** QuattroBoost works directly and fully automatically. There's no hassle with setting it up so installation time is lost or the consumer may become frustrated. In addition, the power in relation to the temperature difference. This gives a better comfort than fans that only have on/off mode.



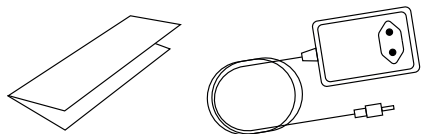
Length	Order No.
400	9160135
500	9160136
600	9160137
700	9160138
800	9160139
900	9160140
1000	9160141
1100	9160142
1200	9160143
1400	9160144
1500	9160145
1600	9160146
1800	9160147
2000	9160148
2200	9160149
2400	9160150
2600	9160151
2800	9160152
3000	9160153

Instruction Manual

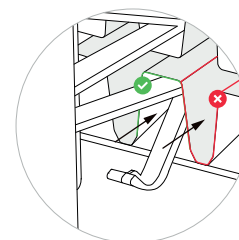
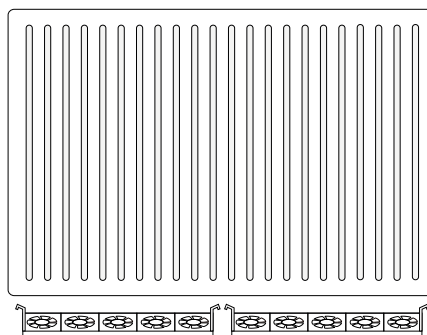
1 Unpack



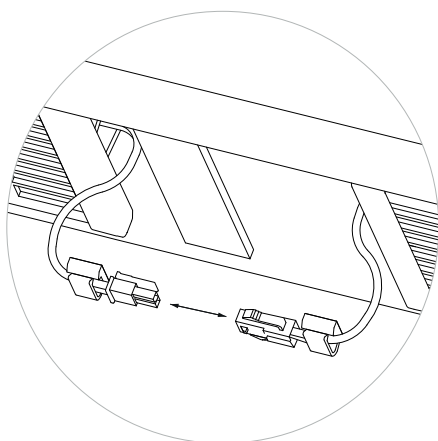
1 - 5



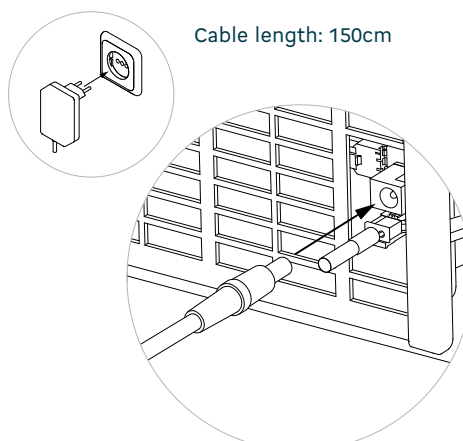
2 Snap On



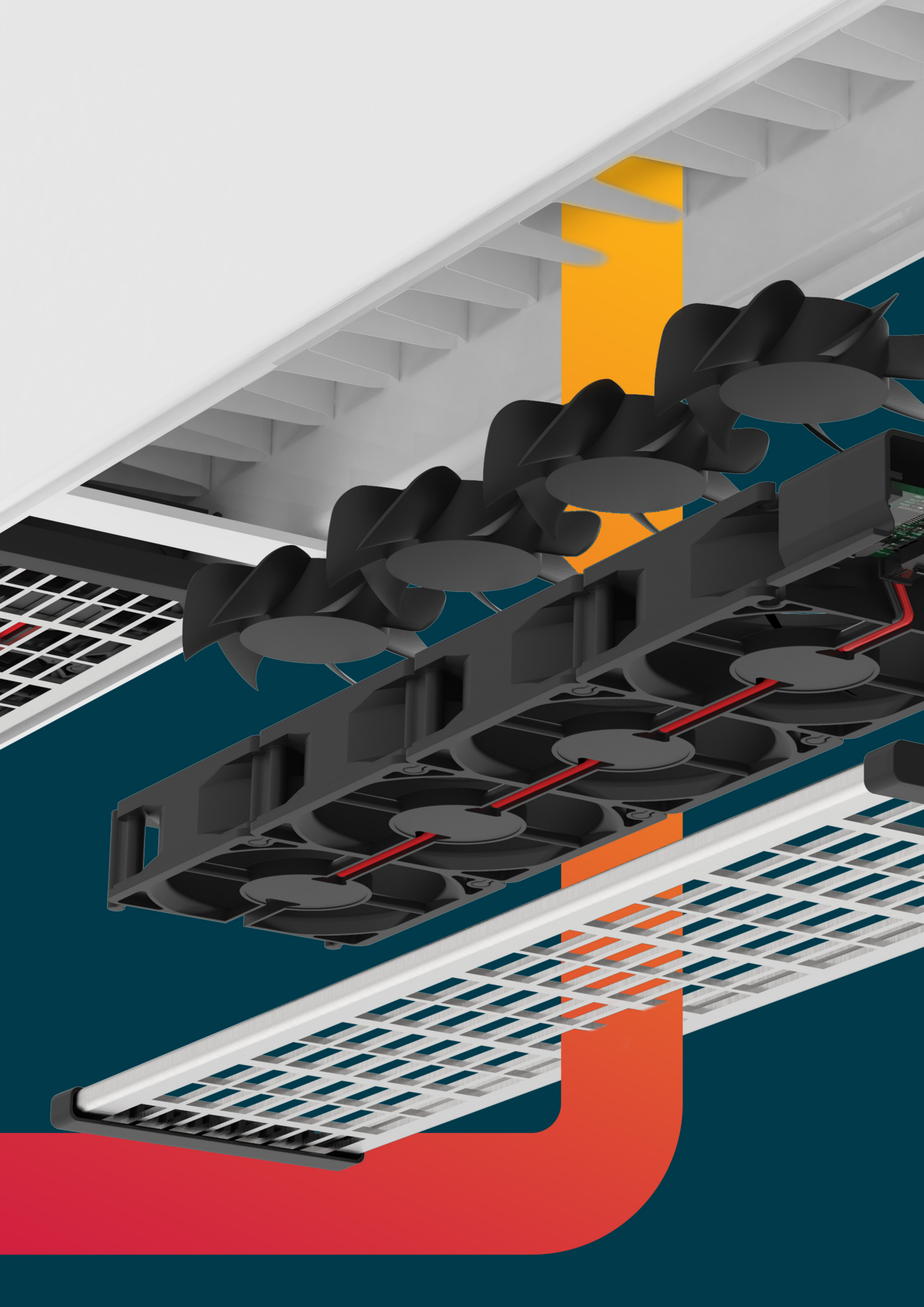
3 Connect



4 Plug In



Cable length: 150cm





Compact-6 Plateau Hybrid

The Thermrad Compact-6 Plateau Hybrid is a low temperature radiator, enabling you to heat your home without compromising on heat comfort. A low temperature regime reduces your heating bill as well as CO₂-emissions. This way you can personally contribute to the European target of being carbon neutral by 2050.

The Thermrad Compact-6 Plateau Hybrid uses fans to provide extra convection heat. The convection technology allows the

system to quickly adjust to the desired temperature, while hardly making any noise. Sound levels are restricted to a minimum.

In combination with a heat pump set above the dew point, you can also cool the room with a Thermrad Compact-6 Plateau Hybrid. The cooling is fully automatic and feels like a pleasant, refreshing breeze.

Heat emission	According to the European Standard EN16430
Material	Cold rolled steel according to EN10130 Surface treatment in 5 phases: Alkaline degreasing, phosphating, cathodic priming, Epoxy, powder coating, powder coating at 210°C
Color	White RAL 9016
Min./max. operating temperature	35 – 60 °C
Work pressure	10 bar
Molding pressure	13 bar
Max. electrical power	1.2 – 7 Watt
Amount of fans	4 – 21
Regulation	Fully automatic, modulating control. When connecting the adapter, the fans will run briefly for a while, if this is not the case, check that all installation steps have been completed correctly. Due to the fully automatic intelligent control, the fans will only run when the bottom of the radiator is hot or cold, depending on heating or cooling, this can take up to 30 minutes.
Cooling	In combination with a heat pump, set above the dew point. For cooling, the direction of flow through the radiator must be reversed (externally via a 4-way valve) and the insert/valve must be fully open. If this is not applied, the provided values will not be achieved. If the room temperature is higher than the maximum temperature setting of the thermostatic head, a digital thermostat head with cooling function or a manual regulating cap that opens the insert/tap completely needs to be applied.
Sound pressure	Max. 32 dB(A) on a distance of 1 meter, for a radiator with a length of 1000 mm and a height of 600 mm
Connections	4x side-connection 1/2" 2x base-connection (right_ 1/2" c.t.c. 50 mm Base-connections from front view: inlet = left, outlet = right

Heights

400 – 600 – 900 mm

Types

Type 22

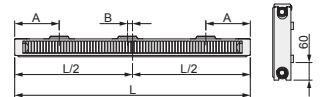
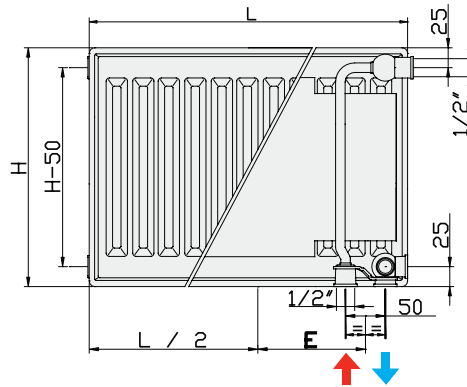
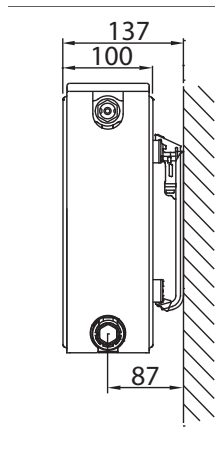
Warranty

10 years on the radiator and 2 years on electrical parts, only when the radiator is used under normal circumstances in a heating/cooling system using water

Delivered including

- Preassembled thermostatic insert M30 x 1,5 (tested according to EN215)
- Top grid and side panels
- AC/DC adapter 240V/12V with 1,5 m cable
- Suspension strips and VDI-consoles
- Screws and wall plugs
- Preassembled air vent and blind plug
- Installation manual
- Preassembled fans

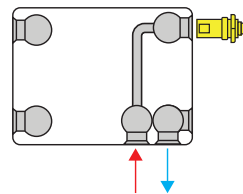
Dimensions



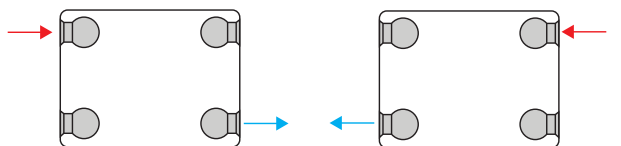
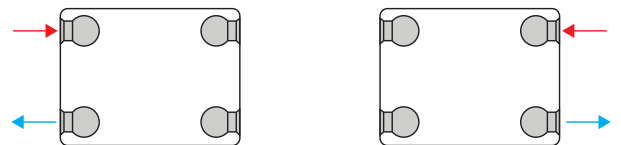
Type 22		
L	A	B
400-2000	133	/

L	500	600	700	800	900	1000	1100	1200	1400	1600	1800	2000
E	197	247	297	347	397	447	497	547	647	747	847	947

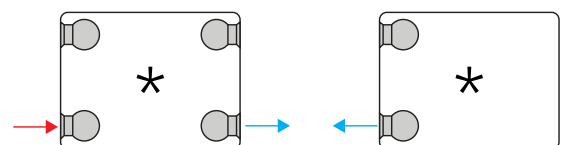
Connections



When installing as a compact radiator, the valve must be removed and both plastic plugs must be replaced at the bottom by brass blind plugs.



* = Loss of output during low-temperature heating in combination with a large temperature difference between feed and return. NOT suitable for cooling



Heat emission

Type		22				
Height	Length	Order No.	EN16430		EN16430	
			Watt Standby		Watt Dynamic max	
			45/35/20 °C	17/19/28°C	45/35/20 °C	17/19/28°C
400	500	9180060	158	57	254	95
	600	9180061	190	68	305	113
	700	9180062	222	80	355	132
	800	9180063	253	91	406	151
	900	9180064	285	103	457	170
	1000	9180065	317	114	508	189
	1100	9180066	349	125	558	208
	1200	9180067	380	137	609	227
	1400	9180068	444	160	711	265
	1600	9180069	507	182	812	302
	1800	9180070	570	205	914	340
2000	9180071	634	228	1015	378	
600	500	9180072	213	79	327	113
	600	9180073	256	94	392	135
	700	9180074	298	110	458	158
	800	9180075	341	126	523	180
	900	9180076	384	141	588	203
	1000	9180077	426	157	654	225
	1100	9180078	469	173	719	248
	1200	9180079	511	188	784	270
	1400	9180080	597	220	915	315
	1600	9180081	682	251	1046	360
	1800	9180082	767	283	1177	405
2000	9180083	852	314	1307	450	
900	500	9180084	296	107	406	122
	600	9180085	355	128	487	146
	700	9180086	414	149	568	170
	800	9180087	473	170	650	194
	900	9180088	533	192	731	219
	1000	9180089	592	213	812	243
	1100	9180090	651	234	893	267
	1200	9180091	710	256	974	292
1400	9180092	828	298	1137	340	
1600	9180093	947	341	1299	389	

= Warming
 = Cooling

Sound pressure

De Compact-6 Plateau Hybrid radiator works gradually. This always limits the sound levels to a minimum, you can barely even hear it. The radiator only runs on full power when the heat demand is at a maximum. The measured sound pressure at a distance of 1 meter, for a model with a height of 600 mm and a length of 1000 mm, is 32 dB(A). So it's very quiet.

How loud is a decibel?

db(A)	Perception	Examples
10	Almost silent	Breathing, falling leaf
20	Just about noticeable	Tree in a breeze
30	Very quiet	Whispering
40	Quiet	Living room, quiet classroom, slight chatter, refrigerator
50	Limited sound	Airconditioning, normal conversation, dishwasher

Quick and easy calculation with a 100 watt price

It can be very time-consuming to select the right radiators with the perfect heat emission when calculating a project. With Thermrad's fixed 100 Watt prices, there's no need for complicated calculations.

The panel radiators from the Thermrad series Super-8 (Compact and Plateau) and Compact-4 (Plus and Plateau) have a fixed price versus heat emission ratio. For example, a 1,000 Watt radiator (within the same series) will cost you exactly half as much as a 2,000 Watt radiator. A fixed price per Watt makes it easy to calculate the total price, as soon as you know the desired heat demand. It's also possible to make a quick price comparison between the different Thermrad series. Long story short, with Thermrad you know exactly what you're going for.

Use the following general rules to calculate your desired heat:

Space	Recommended temperature	Required amount of Watt per m ³
Bathroom	24°C	93 Watt
Living room/study	22°C	85 Watt
Kitchen	20°C	77 Watt
Bedroom	18°C	70 Watt

- At a 2°C higher temperature, the capacity should be increased by 10%
- In an old or badly insulated house, the capacity should be increased by approx. 10 to 15%
- In a well-insulated house (with insulated walls) the capacity can be reduced by 10 to 15%





Super-8 Compact

The Thermrad Super-8 Compact can be used for many purposes and is fitted with no less than 8 pipe connections, making it ideal for almost any situation. The base-connections don't just make installation quick and easy, but also provide a clean finish, almost completely hiding the central heating pipes.

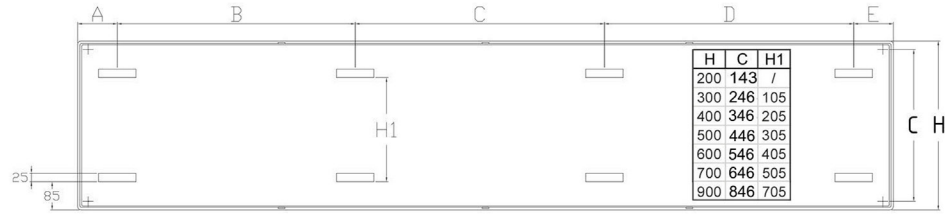
When using the central-base connections, the center of the connections is always at 66 mm from the wall. This enables you

to preplace the piping, before even knowing the exact dimensions of the radiator.

Because of the many connection possibilities, the Thermrad Super-8 radiators are perfect for new installations as well as expanding or replacing old radiators. Every radiator comes with convenient click consoles, for a quick, safe and invisible wall mounting.

Heat emission	According to the European Standard EN442
Material	Cold rolled steel according to EN10130 Surface treatment in 5 phases: <ul style="list-style-type: none"> • Alkaline degreasing • Phosphating • Cathodic priming • Epoxy powder coating • Powder coating at 210°C White RAL 9016
Color	
Maximum operating temperature	110°C
Work pressure	10 bar
Molding pressure	13 bar
Connections	4x side-connection 1/2" 4x base-connection 3/4" euroconus, c.t.c. 50 mm Base-connections from front view: inlet = left, outlet = right
Heights	300 – 400 – 500 – 600 – 700 – 900 mm
Types	Type 11 – 20 – 21 – 22 – 33
Warranty	10 years on manufacturing errors, only when the radiator is used under normal circumstances in a heating system using warm water
Delivered including	<ul style="list-style-type: none"> • Separate thermostatic insert M30 x 1,5 • Top grid and side panels • Suspension strips and locking click consoles • Hexagon head wood screws and wall plugs • Blind plug, air vent and siphon
Fixed 100 Watt price	Order No. 9188911, super-fast calculation

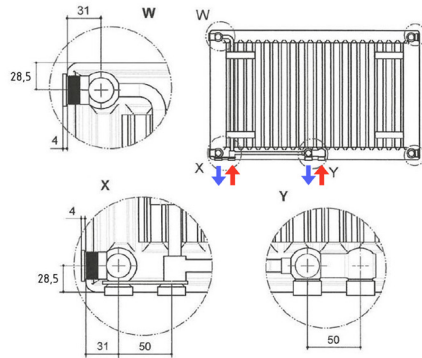
Position of the suspension strips and available in sizes (in mm)



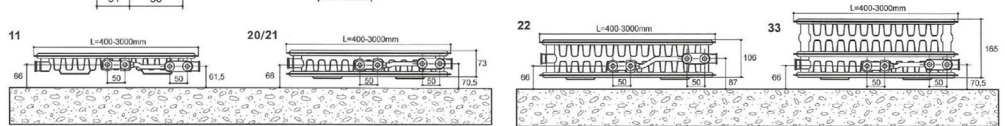
Length radiator	A	B	C	D	E	Brackets
400	116	-	-	-	116	2
500	116	-	-	-	116	2
600	116	-	-	-	116	2
700	116	-	-	-	116	2
800	116	-	-	-	116	2
900	116	-	-	-	116	2
1000	116	-	-	-	116	2
1100	116	-	-	-	116	2
1200	116	-	-	-	116	2
1400	116	-	-	-	116	2

Length radiator	A	B	C	D	E	Brackets
1500	116	-	-	-	116	2
1600	116	668	-	700	116	3
1800	116	768	-	800	116	3
2000	116	868	-	900	116	3
2200	116	968	-	1000	116	3
2400	116	734	700	734	116	4
2600	116	767	834	767	116	4
2800	116	867	834	867	116	4
3000	116	934	900	934	116	4

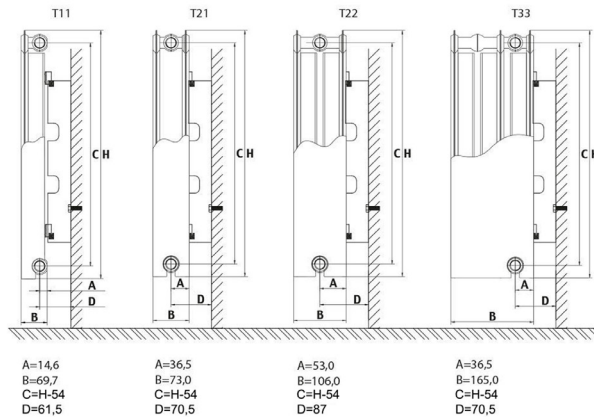
Piping connections (rear view)



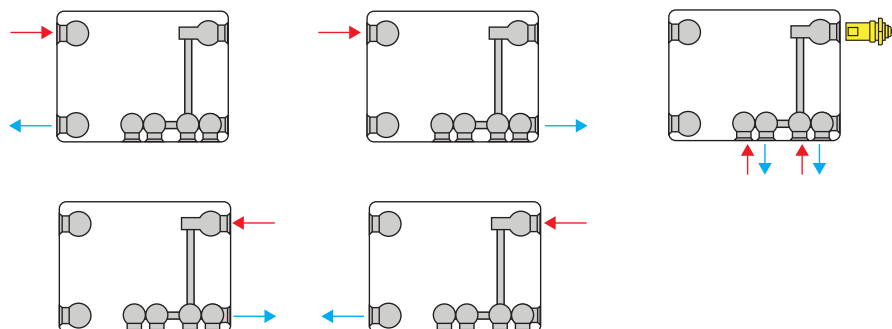
Bottom views



Side views



Connections



Type		11			20			21			22			33		
		Watt			Watt			Watt			Watt			Watt		
		EN442 55/45/20 °C			EN442 55/45/20 °C			EN442 55/45/20 °C			EN442 55/45/20 °C			EN442 55/45/20 °C		
		EN442 75/65/20 °C			EN442 75/65/20 °C			EN442 75/65/20 °C			EN442 75/65/20 °C			EN442 75/65/20 °C		
Height	Length	Order No.			Order No.			Order No.			Order No.			Order No.		
300	500	9181305	262	134				9183305	378	192	9184305	471	239			
	600	9181306	314	161							9184306	565	287			
	800	9181308	419	214							9184308	754	383	9185308	1067	548
	1000	9181310	524	268				9183310	755	384	9184310	942	479	9185310	1334	685
	1200	9181312	629	321							9184312	1130	574	9185312	1601	822
	1400	9181314	734	375				9183314	1057	537	9184314	1319	670	9185314	1868	959
	1600	9181316	838	428							9184316	1507	766	9185316	2134	1096
	1800	9181318	943	482							9184318	1696	862	9185318	2401	1233
	2000	9181320	1048	535				9183320	1510	767	9184320	1884	957			
	2200	9181322	1153	589							9184322	2072	1053	9185322	2935	1507
	2400	9181324	1258	642							9184324	2261	1149			
	2600	9181326	1362	696							9184326	2449	1244			
	2800	9181328	1467	749							9184328	2638	1340			
3000										9184330	2826	1436	9185330	4002	2055	
400	500	9181405	333	170				9183405	477	242	9184405	601	304			
	600	9181406	400	204				9183406	572	291	9184406	721	365	9185406	1020	521
	700	9181407	466	238				9183407	667	339	9184407	841	425			
	800	9181408	533	272				9183408	762	387	9184408	961	486	9185408	1360	695
	900	9181409	599	306				9183409	858	436	9184409	1081	547			
	1000	9181410	666	340				9183410	953	484	9184410	1201	608	9185410	1700	868
	1100	9181411	733	374							9184411	1321	668			
	1200	9181412	799	408				9183412	1144	581	9184412	1441	729	9185412	2040	1042
	1400	9181414	932	476				9183414	1334	678	9184414	1681	851	9185414	2380	1216
	1600	9181416	1066	544				9183416	1525	775	9184416	1922	972	9185416	2720	1389
	1800	9181418	1199	612				9183418	1715	872	9184418	2162	1094	9185418	3060	1563
	2000	9181420	1332	680				9183420	1906	968	9184420	2402	1215	9185420	3400	1736
	2200	9181422	1465	748				9183422	2097	1065	9184422	2642	1337	9185422	3740	1910
	2400	9181424	1598	816				9183424	2287	1162	9184424	2882	1458			
	2600	9181426	1732	884				9183426	2478	1259	9184426	3123	1580			
	2800	9181428	1865	952				9183428	2668	1356	9184428	3363	1701			
	3000	9181430	1998	1020				9183430	2859	1453	9184430	3603	1823	9185430	5100	2605
500	400	9181504	321	164				9183505	571	288	9184504	580	293			
	500	9181505	401	205				9183506	685	346	9184505	725	366	9185505	1024	520
	600	9181506	481	246				9183507	799	404	9184506	869	439	9185506	1229	624
	700	9181507	561	287				9183508	913	461	9184507	1014	513	9185507	1434	728
	800	9181508	642	328				9183509	1027	519	9184508	1159	586	9185508	1638	832
	900	9181509	722	369				9183510	1141	577	9184509	1304	659			
	1000	9181510	802	410				9183511	1255	634	9184510	1449	732	9185510	2048	1041
	1100	9181511	882	451				9183512	1369	692	9184511	1594	806	9185511	2253	1145
	1200	9181512	962	492				9183514	1597	807	9184512	1739	879	9185512	2458	1249
	1400	9181514	1123	573				9183516	1826	923	9184514	2029	1025	9185514	2867	1457
	1600	9181516	1283	655				9183518	2054	1038	9184516	2318	1172	9185516	3277	1665
	1800	9181518	1444	737				9183520	2282	1154	9184518	2608	1318	9185518	3686	1873
	2000	9181520	1604	819				9183522	2510	1269	9184520	2898	1465			
	2200	9181522	1764	901				9183524	2738	1384	9184522	3188	1611			
	2400	9181524	1925	983				9183526	2967	1500	9184524	3478	1758	9185524	4915	2497
	2600	9181526	2085	1065				9183528	3195	1615	9184526	3767	1904			
	2800	9181528	2246	1147							9184528	4057	2051			
3000										9184530	4347	2197				
600	500	9181605	467	239	9182606	616	314	9183605	661	334	9184605	842	423	9185605	1190	601
	600	9181606	560	286				9183606	793	401	9184606	1010	508	9185606	1427	722
	700	9181607	654	334				9183607	925	468	9184607	1178	592			
	800	9181608	747	382	9182608	821	419	9183608	1058	535	9184608	1346	677	9185608	1903	962
	900	9181609	841	429				9183609	1190	601	9184609	1515	762			
	1000	9181610	934	477				9183610	1322	668	9184610	1683	846	9185610	2379	1203
	1100	9181611	1027	525				9183611	1454	735	9184611	1851	931			
	1200	9181612	1121	572				9183612	1586	802	9184612	2020	1016	9185612	2855	1443
	1400	9181614	1308	668				9183614	1851	936	9184614	2356	1185	9185614	3331	1684
	1600	9181616	1494	763				9183616	2115	1069	9184616	2693	1354	9185616	3806	1924
	1800	9181618	1681	859				9183618	2380	1203	9184618	3029	1523			
	2000	9181620	1868	954							9184620	3366	1693			
	2200	9181622	2055	1049							9184622	3703	1862			
	2400	9181624	2242	1145							9184624	4039	2031			
	2600	9181626	2428	1240							9184626	4376	2200			
2800										9184628	4712	2370				
3000	9181630	2802	1431							9184630	5049	2539				
700	400	9181704	425	217				9183705	750	379	9184704	763	384			
	500	9181705	532	271				9183706	899	455	9184705	954	479	9185705	1348	678
	600	9181706	638	326							9184706	1144	575	9185706	1618	813
	700										9184707	1335	671			
	800	9181708	850	434				9183708	1199	606	9184708	1526	767	9185708	2157	1085
	900										9184709	1716	863			
	1000	9181710	1063	543				9183710	1499	758	9184710	1907	959	9185710	2696	1356
1200	9181712	1276	651				9183712	1799	909	9184712	2288	1151				
1400	9181714	1488	760				9183714	2099	1061	9184714	2670	1343				
1600	9181716	1701	869							9184716	3051	1534				
900	400	9181904	525	268	9182905	719	363	9183905	921	463	9184904	930	465	9185904	1319	660
	500	9181905	656	335	9182906	862	436	9183906	1105	555	9184905	1163	582	9185905	1649	825
	600	9181906	787	402				9183907	1289	648	9184906	1396	698	9185906	1978	990
	700	9181907	918	469				9183908	1473	741	9184907					



Thermaid

2 thermostat 3



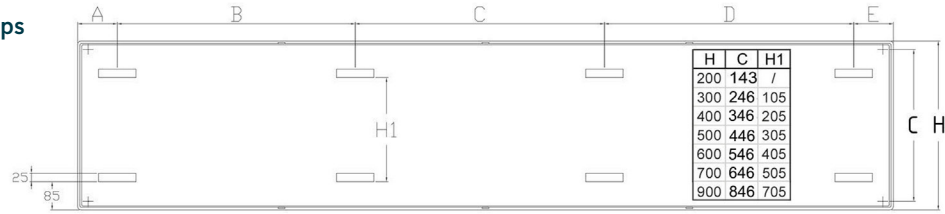
Super-8 Plateau

The Thermrad Super-8 Plateau has a luxurious casing and a flat design front panel. Just like the Thermrad Super-8 Compact, the Thermrad Super-8 Plateau can be used in basically any situation.

The Thermrad Super-8 Plateau radiators are in a fixed higher price range compared to the regular Thermrad Super-8 radiators, but the installation costs are the same. The flat front panel is attached to the radiator with special clips and magnets, making it easy to replace in case of damage or renovation.

Heat emission	According to the European Standard EN442
Material	Cold rolled steel according to EN10130 Surface treatment in 5 phases: <ul style="list-style-type: none"> • Alkaline degreasing • Phosphating • Cathodic priming • Epoxy powder coating • Powder coating at 210°C White RAL 9016
Color	White RAL 9016
Maximum operating temperature	110°C
Work pressure	10 bar
Molding pressure	13 bar
Connections	4x side-connection 1/2" 4x base-connection 3/4" euroconus, c.t.c. 50 mm Base-connections from front view: inlet = left, outlet = right
Heights	300 – 400 – 500 – 600 – 700 – 900 mm
Types	Type 11 – 21 – 22 – 33
Warranty	10 years on manufacturing errors, only when the radiator is used under normal circumstances in a heating system using warm water
Delivered including	<ul style="list-style-type: none"> • Separate thermostatic insert M30 x 1,5 • Top grid and side panels • Suspension strips and locking click consoles • Hexagon head wood screws and wall plugs • Blind plug, air vent and siphon
Fixed 100 Watt price	Order No. 9188912, super-fast calculation

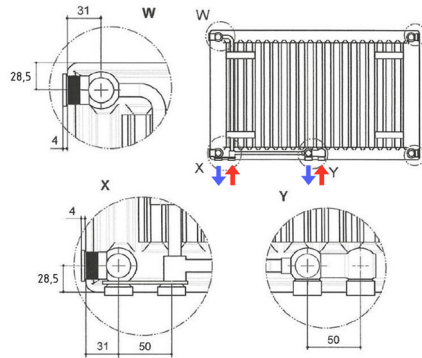
Position of the suspension strips and available in sizes (in mm)



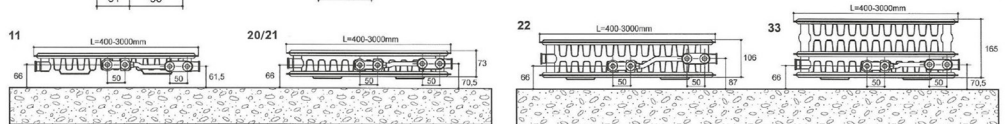
Length radiator	A	B	C	D	E	Brackets
400	116	-	-	-	116	2
500	116	-	-	-	116	2
600	116	-	-	-	116	2
700	116	-	-	-	116	2
800	116	-	-	-	116	2
900	116	-	-	-	116	2
1000	116	-	-	-	116	2
1100	116	-	-	-	116	2
1200	116	-	-	-	116	2
1400	116	-	-	-	116	2

Length radiator	A	B	C	D	E	Brackets
1500	116	-	-	-	116	2
1600	116	668	-	700	116	3
1800	116	768	-	800	116	3
2000	116	868	-	900	116	3
2200	116	968	-	1000	116	3
2400	116	734	700	734	116	4
2600	116	767	834	767	116	4
2800	116	867	834	867	116	4
3000	116	934	900	934	116	4

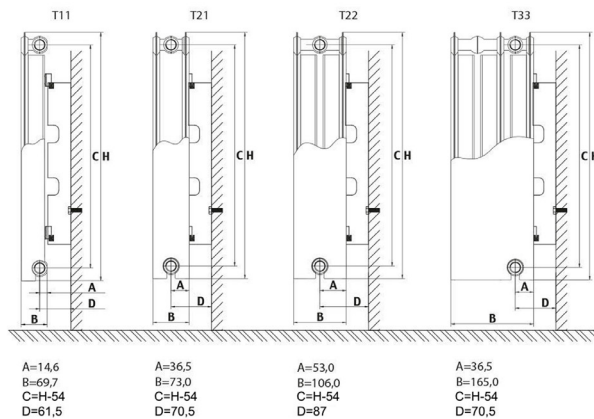
Piping connections (rear view)



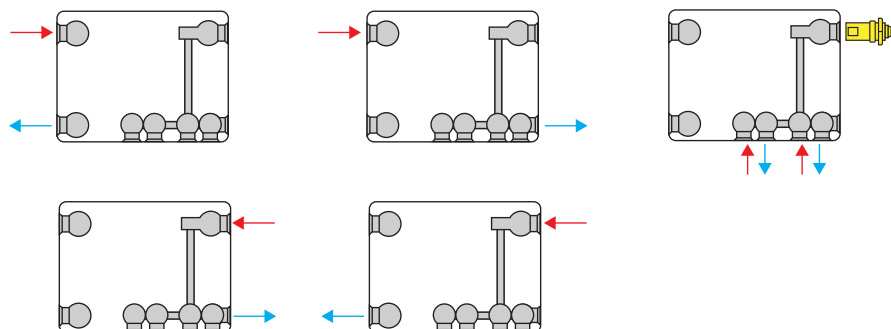
Bottom views



Side views



Connections



Type		11			21			22			33		
Height	Length	Watt			Watt			Watt			Watt		
		EN442 55/45/20 °C			EN442 55/45/20 °C			EN442 55/45/20 °C			EN442 55/45/20 °C		
		EN442 75/65/20 °C			EN442 75/65/20 °C			EN442 75/65/20 °C			EN442 75/65/20 °C		
	Order No.			Order No.			Order No.			Order No.			
300	500				9187305	343	173						
	600							9188306	527	265			
	800							9188308	702	354			
	1000				9187310	686	347	9188310	875	442	9189310	1236 628	
	1200							9188312	1050	531	9189312	1483 754	
	1400				9187314	960	485	9188314	1225	619	9189314	1730 879	
	1600							9188316	1400	708			
	1800							9188318	1575	796	9189318	2225 1130	
	2000				9187320	1372	694	9188320	1750	885			
	2200										9189322	2719 1382	
2400							9188324	2100	1062				
2800							9188328	2450	1238				
400	500	9186405	270	138				9188405	551	278			
	600	9186406	323	165				9188406	662	332			
	800	9186408	431	220	9187408	692	352	9188408	881	445	9189408	1226 623	
	900							9188409	991	501			
	1000	9186410	539	275	9187410	865	440	9188410	1101	557	9189410	1532 778	
	1200	9186412	647	330	9187412	1038	527	9188412	1321	668	9189412	1838 934	
	1400	9186414	755	385	9187414	1211	615	9188414	1541	779	9189414	2145 1090	
	1600	9186416	862	440	9187416	1384	703	9188416	1762	890	9189416	2451 1245	
	1800	9186418	970	496				9188418	1982	1002			
	2000	9186420	1078	551	9187420	1736	879	9188420	2202	1113	9189420	3064 1557	
	2200							9188422	2422	1224			
	2400							9188424	2642	1336			
	2600							9188426	2863	1447			
	2800							9188428	3083	1558			
	500	400	9186504	260	133				9188504	527	266		
500		9186505	325	166				9188505	657	332			
600		9186506	389	199	9187506	620	317	9188506	788	399			
700		9186507	481	232				9188507	920	465	9189507	1275 645	
800		9186508	519	265	9187508	826	422	9188508	1051	531	9189508	1458 737	
900								9188509	1183	598			
1000		9186510	649	331	9187510	1033	528	9188510	1314	664	9189510	1822 921	
1200		9186512	779	398	9187512	1240	633	9188512	1577	797	9189512	2186 1105	
1400		9186514	909	464	9187514	1446	739	9188514	1840	930			
1600		9186516	1038	530	9187516	1653	844	9188516	2102	1063			
1800		9186518	1168	597				9188518	2365	1196			
2000		9186520	1298	663	9187520	2066	1055	9188520	2628	1328			
2200								9188522	2891	1461			
2400								9188524	3154	1594			
3000								9188530	3951	1993			
600	500	9186605	392	200				9188605	758	381			
	600	9186606	470	240	9187606	712	360	9188606	909	457	9189606	1266 640	
	700	9186607	550	280				9188607	1061	533			
	800	9186608	627	320	9187608	950	480	9188608	1212	609	9189608	1688 853	
	900							9188609	1364	686			
	1000	9186610	784	400	9187610	1187	600	9188610	1515	762	9189610	2110 1067	
	1200	9186612	941	480	9187612	1424	720	9188612	1818	914	9189612	2532 1280	
	1400	9186614	1098	561	9187614	1662	840	9188614	2121	1067			
	1600	9186616	1254	641				9188616	2424	1219			
	1800				9187618	2146	1080	9188618	2727	1371			
	2000							9188620	3030	1524			
	2200							9188622	3346	1676			
700	400	9186704	368	176				9188704	683	344			
	500	9186705	431	220				9188705	854	429			
	600	9186706	517	264				9188706	1025	515			
	700							9188707	1195	601			
	800	9186708	689	352				9188708	1366	687			
	900							9188709	1537	773			
	1000	9186710	861	440				9188710	1708	859			
1200							9188712	2060	1030				
900	400	9186904	425	217				9188904	828	417	9189904	1196 605	
	500	9186905	532	271	9187905	806	405	9188905	1036	521	9189905	1496 756	
	600	9186906	638	326	9187906	967	486	9188906	1243	625	9189906	1795 907	
	700							9188907	1450	729			
	800	9186908	850	434	9187908	1290	649	9188908	1657	833	9189908	2393 1210	
	900							9188909	1864	937			
	1000							9188910	2071	1041			

Super-8 Compact & Plateau 200

This Thermrad radiator is both available in the Compact and Plateau edition, in an extra low model of just 200 mm high. This makes it very suitable for placement in spaces with parapets and floor level windows.

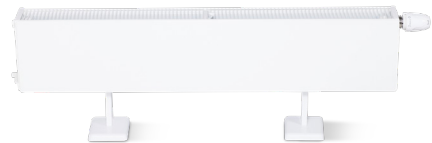
The central heating pipes can be almost completely hidden by using the base-connections.

Window radiators are not equipped with suspension strips because they're usually mounted on floor supports. The stand-alone floor consoles, that can be ordered separately, ensure an easy installation and a solid construction.

Super-8 Compact 200

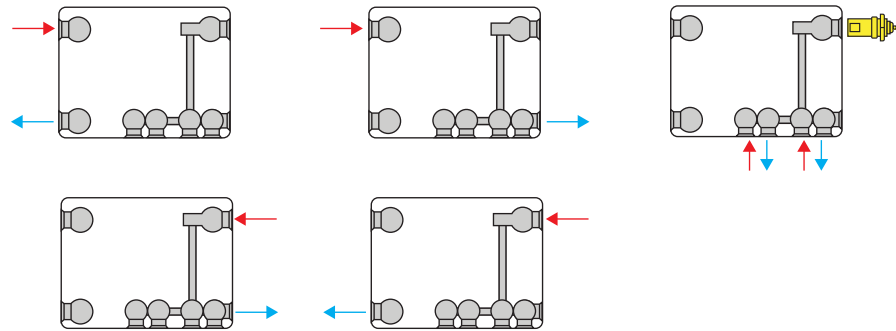


Super-8 Plateau 200



Heat emission	According to the European Standard EN442
Material	Cold rolled steel according to EN10130 Surface treatment in 5 phases: <ul style="list-style-type: none"> • Alkaline degreasing • Phosphating • Cathodic priming • Epoxy powder coating • Powder coating at 210°C White RAL 9016
Color	
Maximum operating temperature	110°C
Work pressure	10 bar
Molding pressure	13 bar
Connections	4x side-connection 1/2" 4x base-connection 3/4" euroconus, c.t.c. 50 mm Base-connections from front view: inlet = left, outlet = right
Height	200 mm
Types	Type 22 – 33
Warranty	10 years on manufacturing errors, only when the radiator is used under normal circumstances in a heating system using warm water
Delivered including	<ul style="list-style-type: none"> • Separate thermostatic insert M30 x 1,5 • Top grid and side panels • Blind plug, air vent and siphon

Connections



Heat emission
Super-8 Compact 200

Type		22			33		
		Watt			Watt		
		EN442 55/45/20 °C			EN442 55/45/20 °C		
		EN442 75/65/20 °C			EN442 75/65/20 °C		
Height	Length	Order No.			Order No.		
200	800	9180543	551	280	9185208	780	398
	1000	9184210	689	350	9185210	975	498
	1200	9184212	827	420	9185212	1170	598
	1400	9184214	965	490	9185214	1365	697
	1600	9184216	1102	560	9185216	1560	797
	1800	9184218	1240	630	9185218	1755	896
	2000	9184220	1378	700	9185220	1950	996
	2200	9184222	1516	770	9185222	2145	1096
	2400	9184224	1654	840	9185224	2340	1195
	2600	9184226	1791	910	9185226	2535	1295
2800	9184228	1929	980	9185228	2730	1394	
3000	9184230	2067	1050	9185230	2925	1494	

Heat emission
Super-8 Plateau 200

Type		22			33		
		Watt			Watt		
		EN442 55/45/20 °C			EN442 55/45/20 °C		
		EN442 75/65/20 °C			EN442 75/65/20 °C		
Height	Length	Order No.			Order No.		
200	800	9188208	513	261			
	1000	9188210	641	326	9189210	983	502
	1200	9188212	769	391	9189212	1180	603
	1400	9188214	897	456	9189214	1376	703
	1600	9188216	1026	521	9189216	1573	803
	1800	9188218	1154	586	9189218	1769	904
	2000	9188220	1282	651	9189220	1966	1004
	2200	9188222	1410	717	9189222	2163	1105
	2400	9188224	1538	782	9189224	2359	1205
	2600	9188226	1666	847	9189226	2556	1305
	2800	9188228	1795	912	9189228	2752	1406
	3000	9188230	1923	977	9189243	2949	1506



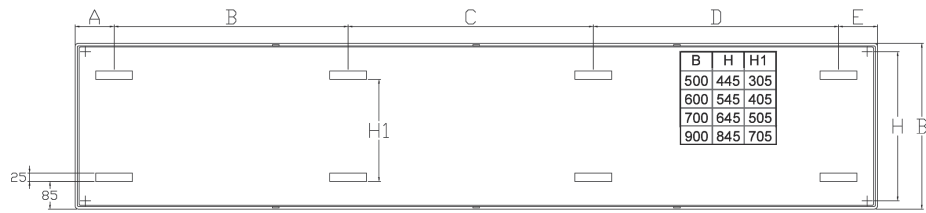
Super-8 Sani Coat

The Super-8 Sani Coat is ideal for (more) humid rooms like the bathroom, kitchen, toilet or garage. The radiator is optimally protected against rust by a thick and durable extra basis layer powder coating in the color RAL 9016. This doesn't just extend the lifespan of the radiator, but it's also more environmentally friendly compared to other anti-rust treatments.

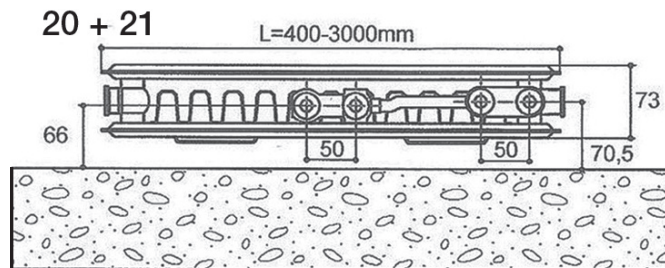
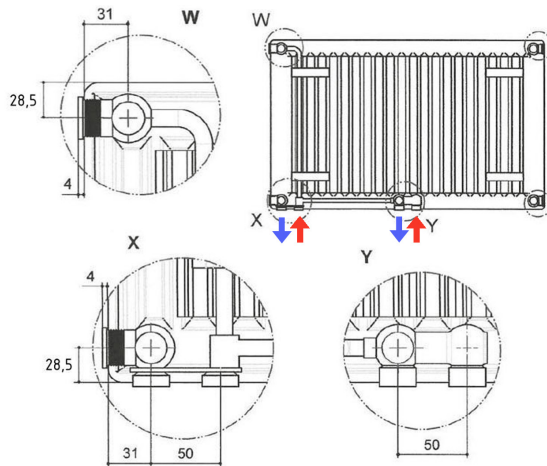
This series comes without top grid and side panels, but the rest of the specifications are the same as the Thermrad Super-8 Compact. Because of its long lifespan, this radiator is ideal in combination with a private service contract or maintenance contracts with housing associations.

Heat emission	According to the European Standard EN442
Material	Cold rolled steel according to EN10130 Surface treatment in 5 phases: <ul style="list-style-type: none"> • Alkaline degreasing • Phosphating • Cathodic priming • Epoxy powder coating • Powder coating at 210°C White RAL 9016
Color	White RAL 9016
Maximum operating temperature	110°C
Work pressure	10 bar
Molding pressure	13 bar
Connections	4x side-connection 1/2" 4x base-connection 3/4" euroconus, c.t.c. 50 mm Base-connections from front view: inlet = left, outlet = right
Heights	500 – 600 – 700 – 900 mm
Types	Type 20 – 21
Warranty	10 years on manufacturing errors, only when the radiator is used under normal circumstances in a heating system using warm water
Delivered including	<ul style="list-style-type: none"> • Separate thermostatic insert M30 x 1,5 • Suspension strips and locking click consoles • Hexagon head wood screws and wall plugs • Blind plug, air vent and siphon

Position of the suspension strips



Piping connections (rear view)



Heat emission

Height	Length	Type 20			Type 21		
		Order No.	Watt		Order No.	Watt	
			EN442 55/45/20 °C			EN442 55/45/20 °C	
			EN442 75/65/20 °C			EN442 75/65/20 °C	
500	800	9189247	708	335	9189248	945	447
	600	9189249	513	389	9189250	661	519
		9189251	615	276	9189252	793	368
700	800	9189253	820	387	9189254	1058	514
	500	9189255	582	556	9189256	775	726
900	700	9189257	814	814	9189258	1082	1082
	500	9189259	719	719	9189260	940	940
	600	9189261	940	940	9189262	1128	1128
	800	9189263	1151	1151	9189264	1504	1504



AluBasic

The Thermrad AluBasic is the basic model in the aluminium radiator series. This straightforward model has all the advantages of aluminium. Its high heat emission and corrosion resistance make it the ideal choice for (more) humid spaces like the bathroom or toilet.

This radiator releases a lot of heat fast because of its excellent heat conduction and limited water content, making it comfortable and energy saving.

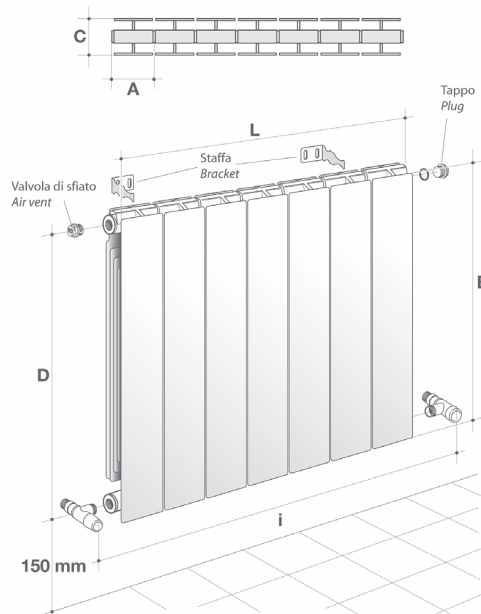
Aluminium radiators are light in weight (approx. 1/3 of steel radiators), easy on the installer's back and suitable for mounting on all kinds of walls. Because the Thermrad AluBasic is so flexible in use, it's easy to fit it into almost every living room, bathroom or toilet. Aluminium radiators are not compatible with district heating.

Heat emission	According to the European Standard EN442
Material	Aluminium
Color	White RAL 9016
Maximum operating temperature	110°C
Work pressure	10 bar
Molding pressure	13 bar
Connections	4x side-connection 1" down-sizable to 4x 1/2" with a full set of thread adapters and radiator plugs available separately (order No. 9721569)
Heights	431 – 581 – 681 – 781 – 881 mm
Lengths	400 – 560 – 640 – 800 mm
Types	Type 20 – 21
Warranty	10 years on manufacturing errors, only when the radiator is used under normal circumstances in a heating system using warm water
General	Installation by separately available mounting brackets (order No. 9721540). It's recommended to use a plastic wrench (order No. 9721541) to prevent damage to the thread adapters. The assembly of the plugs or the breather valves must be carried out without using teflon or hemp. The tightness is guaranteed by the O-ring. The use of teflon or hemp will ruin the threads on the aluminium manifolds. Furthermore, the adjustable wrench should not be used for assembly and tightening, but rather a 25mm wrench.

Heat emission

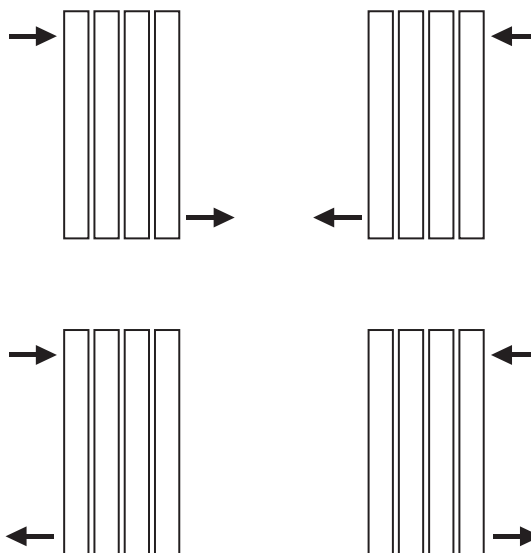
AluBasic				
		Watt		
		EN442 55/45/20 °C		
		EN442 75/65/20 °C		
Height	Length	Order No.		
431	400	9721527	440	224
	560	9721528	616	314
	800	9721529	880	449
581	400	9721530	585	298
	560	9721531	819	418
	640	9721532	936	477
681	400	9721533	715	365
	560	9721534	1001	511
781	400	9721535	765	390
	560	9721536	1071	546
881	400	9721537	840	428
	560	9721538	1176	600

Distance wall to heart of the connection 63 or 69 mm (2 connections)



Model	A (mm)	B (mm)	C (mm)	D (mm)
AluBasic 350	80	431	95	350
AluBasic 500	80	581	95	500
AluBasic 600	80	681	95	600
AluBasic 700	80	781	95	700
AluBasic 800	80	881	95	800

Connections



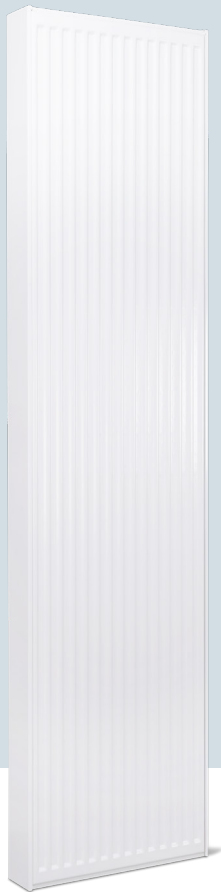


Accessories horizontal radiators

	Order No.	Description	C4 Plus	C4 Plateau	S8 Compact	S8 Sani Coat	S8 Plateau	S8 Window radiators	AluBasic
	9726088	Spare L-consoles (set of 2 pcs.) height 300mm	•	•					
	9726089	Spare L-consoles (set of 2 pcs.) height 400mm	•	•					
	9726090	Spare L-consoles (set of 2 pcs.) height 500mm	•	•					
	9726091	Spare L-consoles (set of 2 pcs.) height 600mm	•	•					
	9726092	Spare L-consoles (set of 2 pcs.) height 700mm	•	•					
	9726093	Spare L-consoles (set of 2 pcs.) height 900mm	•	•					
	9181431	Spare Click Console (p.pcs.) height 300mm. Sold per 2 pcs.			•	•	•		
	9181432	Spare Click Console (p.pcs.) height 400mm. Sold per 2 pcs.			•	•	•		
	9181433	Spare Click Console (p.pcs.) height 500mm. Sold per 2 pcs.			•	•	•		
	9181434	Spare Click Console (p.pcs.) height 600mm. Sold per 2 pcs.			•	•	•		
	9181435	Spare Click Console (p.pcs.) height 700mm. Sold per 2 pcs.			•	•	•		
	9181436	Spare Click Console (p.pcs.) height 900mm. Sold per 2 pcs.			•	•	•		
	9530346	J-bracket model Trias (set of 2 pcs.) height 200mm						•	
	9189999	Insert with automatic flow control (constant Flow) M30 x 1,5			•	•	•	•	
	9531049	Stand-alone floor console (set of 2 pcs.) for type 21			•	•	•	•	
	9531044	Stand-alone floor console (set of 2 pcs.) for 22 and 33			•	•	•	•	
	9531046	Stand-alone floor console (set of 2 pcs.) for 21	•	•					
	9530612	Stand-alone floor console (set of 2 pcs.) for 22 and 33	•	•					
	9721611	Thermrad thermostat dial M30 x 1,5 wit	•	•	•	•	•	•	•
	9180658	Magnetic towel bar 450mm, white		•			•		
	9180659	Magnetic towel bar 450mm, chrome		•			•		
	9189311	Magnetic towel bar 550mm, white		•			•		
	9189313	Magnetic towel bar 550mm, chrome		•			•		
	9721539	Set radiator plugs/adapter rings for AluBasic (always required)							•
	9721540	Mounting kit for AluBasic (always required)							•
	9721541	Plastic wrench for adapter rings AluBasic (prevents paint damage)							•

Vertical radiators





Vertical Compact



Vertical Plateau



Vertical Line Plateau

Vertical radiators

As of its high heat emission, the Thermrad Vertical series is ideal for situations with limited wall space and a high heat demand like the hallway, kitchen or living room.

The pipes should always be connected to 2 of the 4 connections on the base of the radiator. A design cover block on the center-base connection is a smart solution to cover up the central heating pipes.

This affordable model is a great alternative for décor and towel radiators. Every radiator comes with mounting brackets for a fast, safe and invisible wall mounting.

The **Thermrad Vertical Compact** has a contoured, ribbed front panel and serves well as a stylish addition to the classic panel radiator. Perfect in combination with other Thermrad panel radiators, like the Super-8 Compact and Compact-4 Plus.

The **Thermrad Vertical Plateau** has a decorative, straight front panel and adds a spark of luxury to every interior. Magnetic towel bars can be ordered separately, completing this radiator for optimal use in the bathroom or kitchen.

The **Thermrad Vertical Line Plateau** has a decorative design flat front panel with vertical lines. This radiator fits in perfectly with a sleek and modern interior.

Heat emission
Material

According to the European Standard EN442
Cold rolled steel according to EN10130
Surface treatment in 5 phases:

- Alkaline degreasing
 - Phosphating
 - Cathodic priming
 - Epoxy powder coating
 - Powder coating at 210°C
- White RAL 9016

Color
Maximum operating temperature
Work pressure
Molding pressure
Connections

110°C
10 bar
13 bar
2x base connection 1/2" (left - right) center-base connection 3/4" euroconus c.t.c. 50 mm
2x top connection 1/2" (left - right) only possible with separately available top connection set (order No. 9180027)
The radiator is not reversible
Top connection for ventilation only
Inlet/outlet can be switched

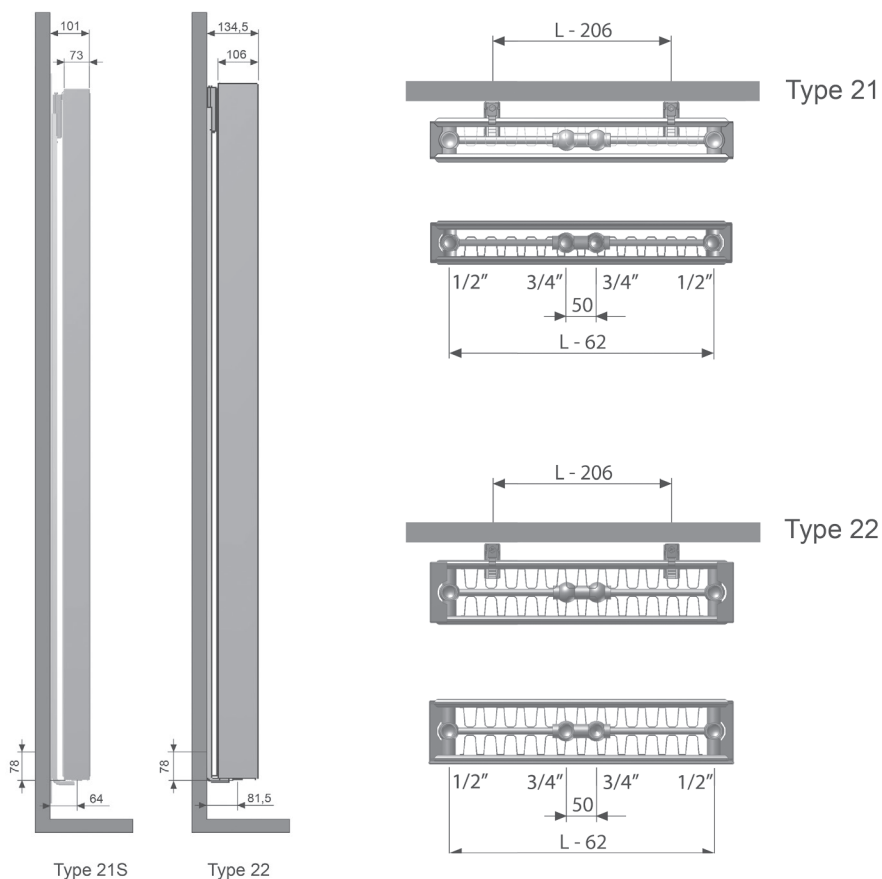
Heights
Types
Warranty

1800 - 2000 - 2200 mm
Type 21 - 22
10 years on manufacturing errors, only when the radiator is used under normal circumstances in a heating system using warm water

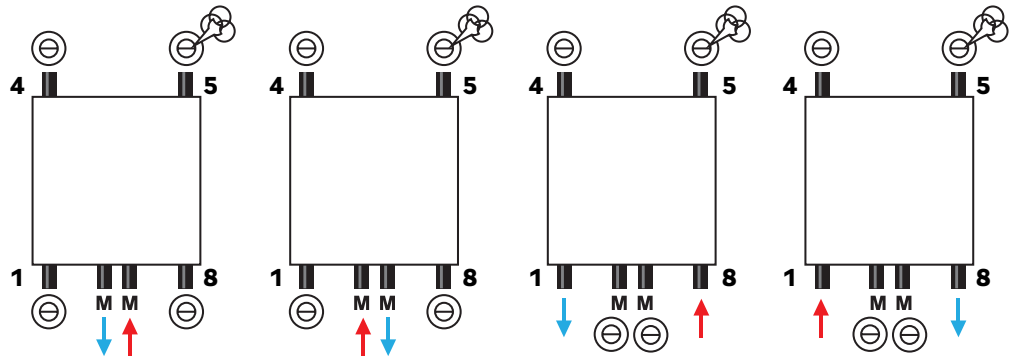
Delivered including

- Mounting brackets (excl. bolts and plugs)
- Blind plug and air vent
- Side trim (Excluding top grid for a higher heat emission)

Dimensions



Connections



Heat emission
Vertical Compact

Type		22		
		Watt		
		EN442 55/45/20 °C		
		EN442 75/65/20 °C		
Height	Length	Order No.		
2000	400	9160155	1676	843
	500	9160156	2095	1054
	600	9160157	2514	1264
2200	500	9160160	2244	1061
	600	9160161	2693	1273
	700	9160162	3142	1485

Heat emission
Vertical Plateau

Type		21			22		
		Watt			Watt		
		EN442 55/45/20 °C			EN442 55/45/20 °C		
		EN442 75/65/20 °C			EN442 75/65/20 °C		
Height	Length	Order No.			Order No.		
1800	400	9160163	1120	558	9160175	1394	662
	500	9160164	1400	697	9160176	1743	828
	600	9160165	1680	836	9160177	2092	994
2000	400	9160167	1198	593	9160179	1509	702
	500	9160168	1498	742	9160180	1886	878
	600	9160169	1798	890	9160181	2263	1053
	700		9160182	2640	1229		
2200	400				9160183	1626	809
	500				9160184	2032	1012
	600				9160185	2438	1214
	700				9160186	2845	1416

Heat emission
Vertical Line Plateau

Type		22		
		Watt		
		EN442 55/45/20 °C		
		EN442 75/65/20 °C		
Height	Length	Order No.		
2000	400	9160187	1509	702
	500	9160188	1886	878
	600	9160189	2263	1053



Vertical Plateau-E



Heat up any space quick and easy with the Thermrad Vertical Plateau Electric radiators. The Thermrad Vertical Plateau-E combines the benefits of a vertical electric radiator with a sleek and decorative design. With its flat front panel, it blends in perfectly with any interior. This model is also suitable for small spaces and renovation projects because it's very space efficient. Main advantages:

- Intuitive control
- Control via included (easy to connect) RF-Thermostat
- Boost-function
- Open window detection
- Conform ECO Design guidelines
- Plug and Play

Heat emission Material

According to the Ecodesign 2018 guideline (EU regulation 2015/1188)

Cold rolled steel according to EN10130

Surface treatment in 5 phases:

- Alkaline degreasing
- Phosphating
- Cathodic priming
- Epoxy powder coating
- Powder coating at 210°C

Color

White RAL 9016

Height

1800 mm

Widths

500 – 600 – 700 mm

Types

Type 11

Warranty

10 years on the radiator and 2 years on the electrical parts

Delivered including

- Prefilled with heating fluid
- RF-thermostat
- RF-receiver incl. 80 cm cable with plug
- J-consoles
- Side panels
- ETA-safety screws and plugs
- Installation manual

Technical specifications

Mains voltage 220-240V ~50Hz

IP44: protected against splash water

Class II: double insulated

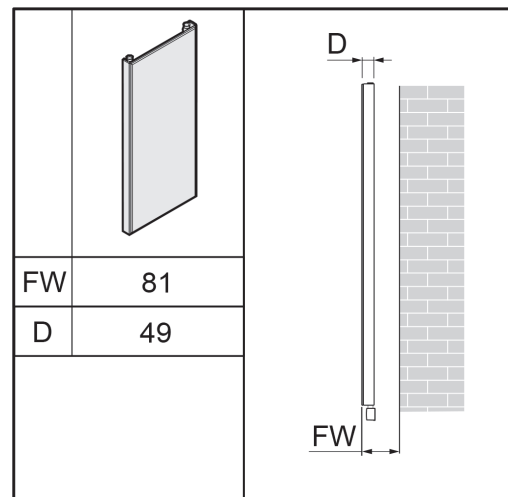
CE-marked

Digital RF-thermostat

- Adjustable from + 10 °C to + 30 °C
- 4 operating modes, Auto - Comfort - ECO - Frost protection
- Week program, assign 6 different profiles a day
- Super Comfort function, 2 °C temperature rise for 20 to 120 minutes
- Boost function, maximum heat for 10 to 60 minutes
- Open window detection, engages frost protection at a significant temperature drop
- Lockable thermostat
- Operation: easy and quick to connect to a radiator, able to control multiple Thermrad Plateau-E radiators
- Display with back light, simple and intuitive

Heat emission

Type		11	
Height	Length	Order No.	Watt
1800	500	9180050	1250
	600	9180051	1500
	700	9180052	1750

Dimensions



AluStyle Plus

The Thermrad AluStyle Plus is an especially luxurious décor radiator with a total of 6 connections. As opposed to the basic Thermrad AluStyle, the Plus model is delivered ready for installation on the center-base connections.

Besides, every radiator is prepared to connect a matching towel bar. This makes the AluStyle Plus an excellent choice for the bathroom or kitchen. Because of their high heat emission and low water content, aluminium radiators heat the space efficiently with a lower energy bill as a result.

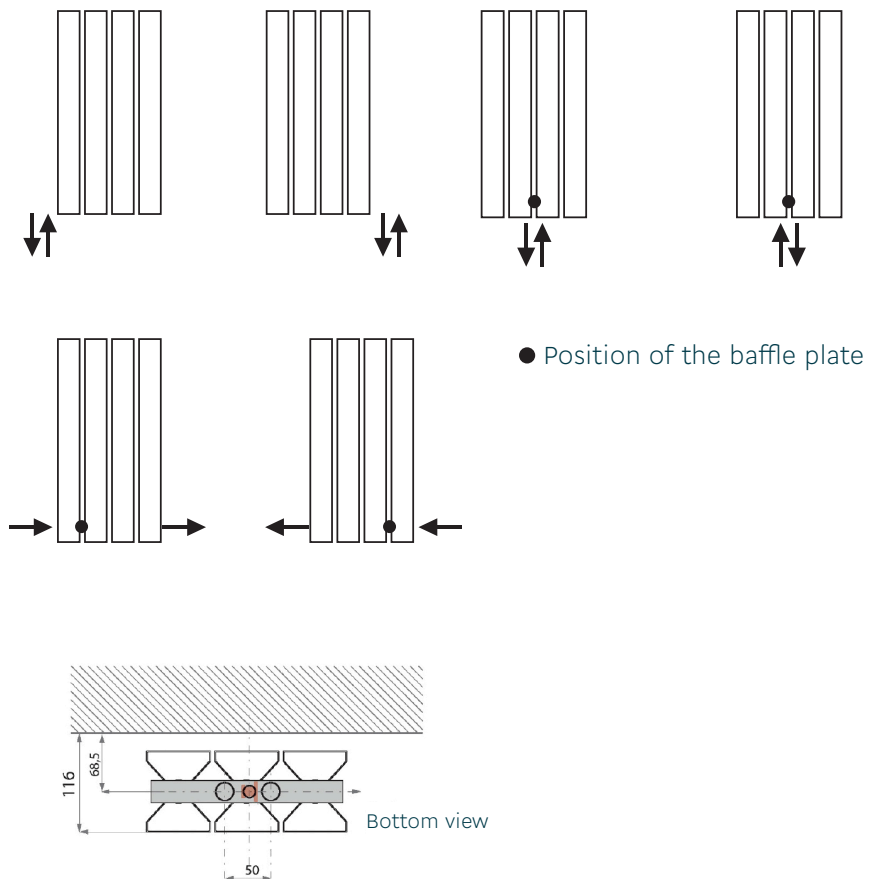
Aluminium radiators are light in weight (approx. 1/3 of steel radiators), easy on the installer's back and suitable for mounting on all kinds of walls. Because the Thermrad AluStyle Plus is so flexible in use, it's easy to fit it into almost every living room, bathroom or toilet. The Thermrad AluStyle Plus is available in color schemes aluminium structure white and black. Aluminium radiators are not compatible with district heating.

Heat emission	According to the European Standard EN442
Material	Aluminium
Color	White or black textured
Maximum operating temperature	110°C
Work pressure	6 bar
Molding pressure	10 bar
Connections	4x 1/2" side connections 2 x 1/2" center-base connections (MM) c.t.c. 50 mm Preassembled baffle plate with ventilation and blind plugs for connecting with a center-base connection
Heights	1826 and 2026 mm
Lengths	240 – 320 – 400 – 480 mm
Warranty	10 years on manufacturing errors, only when the radiator is used under normal circumstances in a heating system using warm water Delivered including <ul style="list-style-type: none"> • Adjustable mounting brackets • Hexagon head wood screws and wall plugs • Blind plug and air vent
General	The assembly of the plugs or the breather valves must be carried out without using teflon or hemp. The tightness is guaranteed by the O-ring. The use of teflon or hemp will ruin the threads on the aluminium manifolds. Furthermore, the adjustable wrench should not be used for assembly and tightening, but rather a 25mm wrench.

Heat emission

AluStyle		White		Black	
		Watt		Watt	
		EN442 75/65/20 °C		EN442 75/65/20 °C	
Height	Length	Order No.	Order No.	Order No.	Order No.
1826	240	9728933	904	9728934	904
	320	9728931	1206	9728938	1206
	400	9728928	1507	9728924	1507
	480	9728927	1808		
2026	240	9728929	983		
	320	9728925	1310		
	400	9728940	1638		
	480	9728937	1966		

Connections





AluSoft



The Thermrad AluSoft is a modern design radiator, suitable for any kind of space. The 12 cm wide vertical elements provide it with a soft, elegant look. The model for central heating systems is available in 3 different sizes and is ready for installation on the (2x 1/2") center-base connections. When needed, it's also possible to install the radiator on its (4x 1/2") side connections. The preinstalled baffle plate is easy to remove, depending on the inlet and outlet position.

This luxurious radiator has a white matte textured finish and comes with easy-to-use adjustable suspension brackets, screws and plugs. An optional matching chrome towel bar is also available.

Heat emission

Material

Color

Connections

According to the European Standard EN442

Aluminium

White textured

- 4x 1/2" side connections
- 2 x 1/2" center-base connections (MM) c.t.c. 50 mm
- Preassembled baffle plate, to be removed when using side connections
- Top connection not possible (inlet/outlet, left/right top)

Height

Lengths

Warranty

1800 mm

240 – 360 – 480 mm

10 years on manufacturing errors, only when the radiator is used under normal circumstances in a heating system using warm water

Delivered including

- Adjustable mounting brackets
- Hexagon head wood screws and wall plugs
- Blind plug and air vent

Optional

General

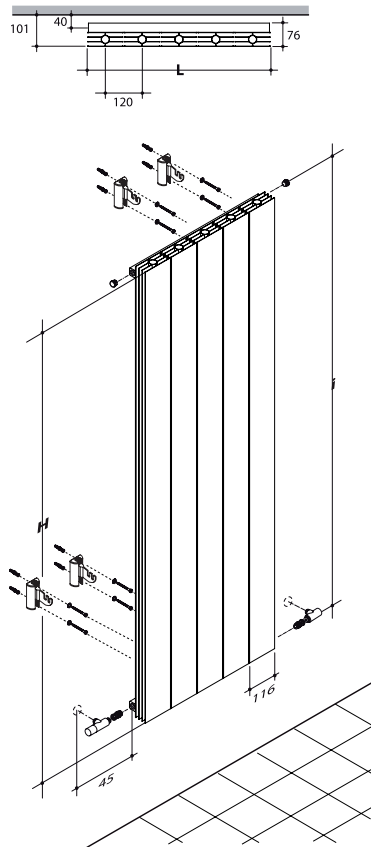
Matching towel bar (chrome)

The assembly of the plugs or the breather valves must be carried out without using teflon or hemp. The tightness is guaranteed by the O-ring. The use of teflon or hemp will ruin the threads on the aluminium manifolds. Furthermore, the adjustable wrench should not be used for assembly and tightening, but rather a 25mm wrench

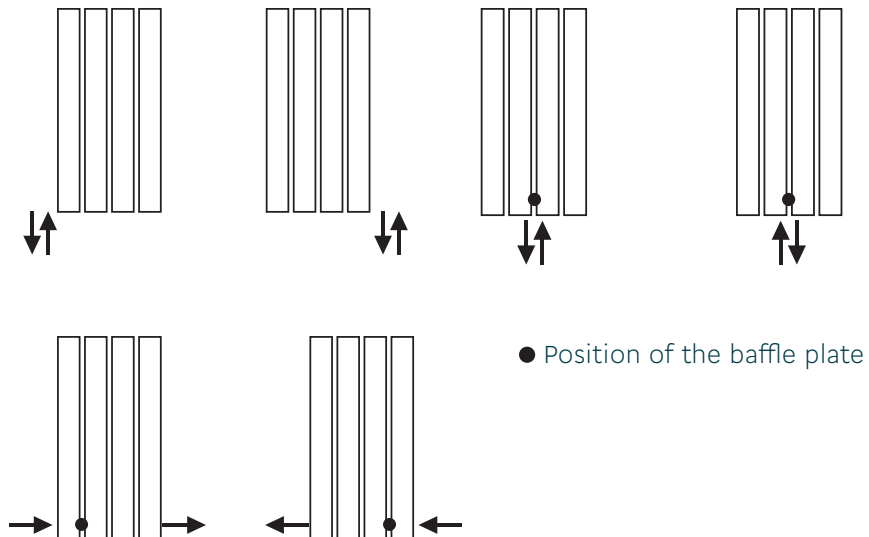
Heat emission

AluSoft		White		
		Watt		
		EN442 55/45/20 °C		
		EN442 75/65/20 °C		
Height	Length	Order No.		
1800	240	9728911	636	324
	360	9728915	955	487
	480	9728912	1273	649

Dimensions



Connections



● Position of the baffle plate



AluSoft-E



The Thermrad AluSoft is also available in a 100% electric model. The Thermrad AluSoft-E has a high-tech digital clock thermostat and lives up to the current EcoDesign guidelines for electrical products. It's in safety class II, double insulated and protected against splash water (IPX4). Use the preassembled 1.2 m cable (contact plug not included) to simply plug the electric radiator into a nearby socket.

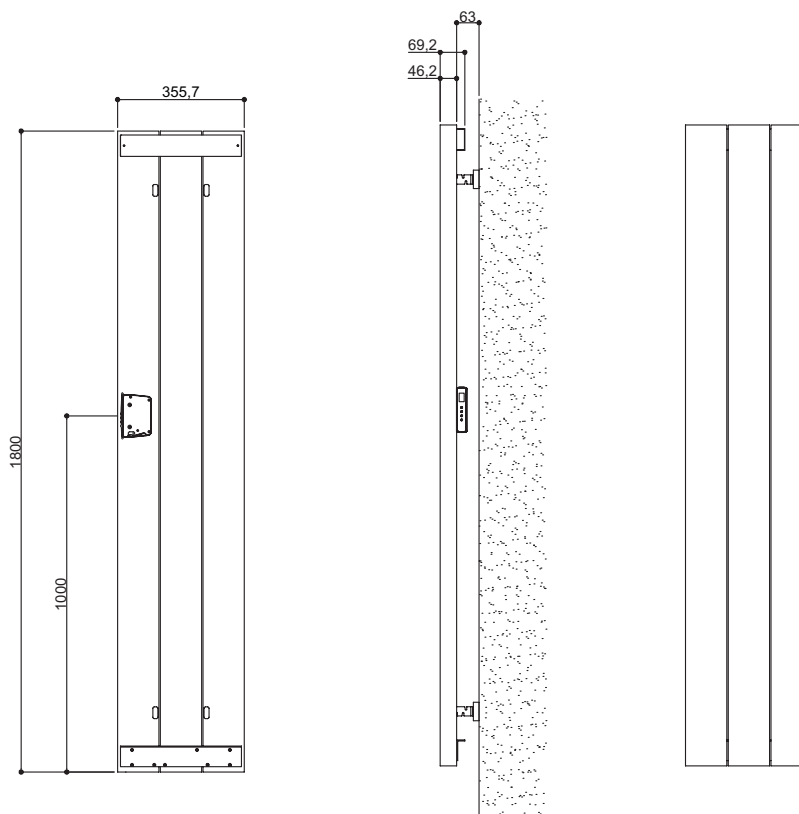
With its 1800 x 360 mm dimensions, the radiator has an electrical power of 1500 Watt. It's available with a white or black matte textured finish and is delivered including convenient adjustable mounting brackets, screws and plugs. An optional matching chrome towel bar is also available.

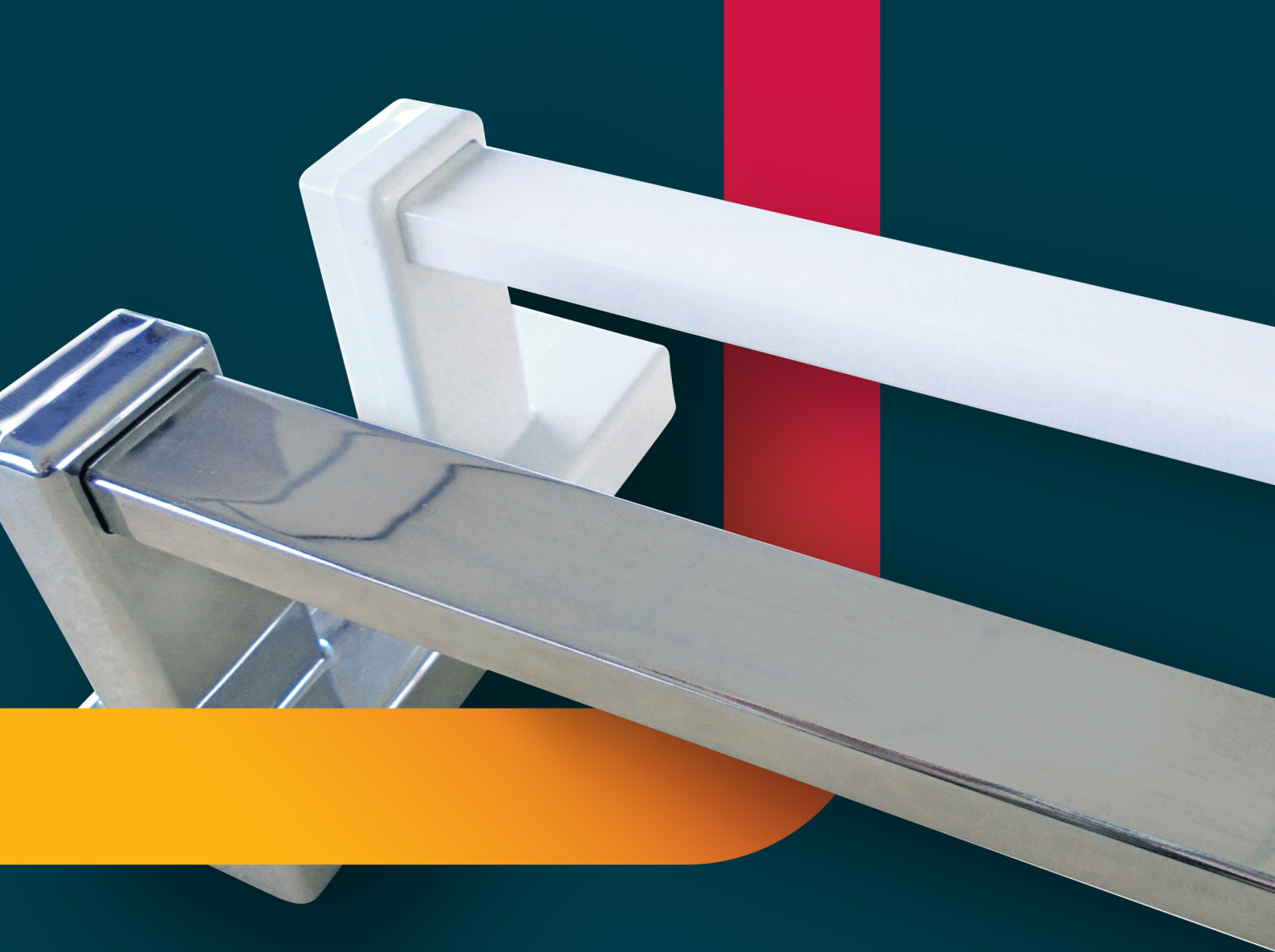
- Heat emission** According to the European Standard EN442
- Material** Aluminium
- Color** White textured
- Height** 1800 mm
- Lengths** 360 mm
- Warranty** 10 years on radiator manufacturing errors and 2 years on electrical parts
- Delivered including**
 - Adjustable mounting brackets
 - Hexagon head wood screws and wall plugs
 - High-tech digital (clock) thermostat with:
 - Comfort and night program
 - 24/7 week program
 - Frost protection program
 - Open window detection
 - 1.2 m cable, contact plug not included
- General**
 - Complies with EcoDesign ERP18 guidelines
 - IPX4: protected against splash water
 - Class II: double insulated

Heat emission

AluSoft Elektrik				White	Black
Height	Length	Thickness	Watt	Order No.	Order No.
1800	360	76	1500	9728916	9728935

Dimensions





Magnetic towel bars

The universal, magnetic towel bars are suitable for all brands of steel panel- and design radiators with a flat front panel, including all types of Thermrad radiators. With a length of 450 mm and 550 mm, the towel bars are available in the colors white and chrome.




The two ultra-strong magnets, positioned on both sides of the towel bar, have a total capacity of about 9 kg. That's enough to hold a towel or bath robe without losing the ability to move or remove the towel bar.

Both magnets are provided with a synthetic protective layer, to prevent damaging the flat front plate of the radiator. Directly available from stock!

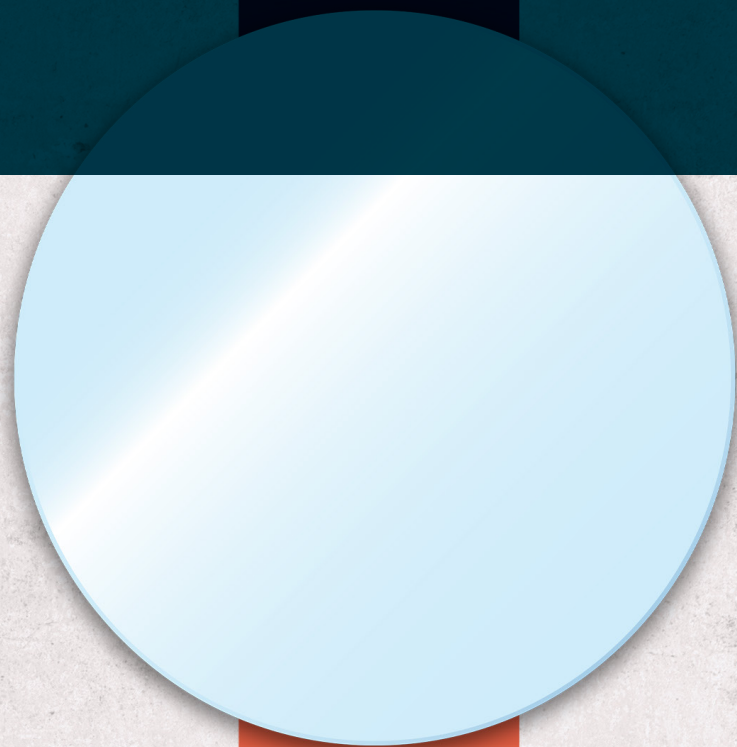
Magnetic towel bar

Size	450mm	450mm	550mm	550mm
Color	White RAL 9016	Chrome	White RAL 9016	Chrome
Order No.	9180658	9180659	9189311	9189313

Accessories vertical radiators

	Order No.	Description	Vertical Plateau	Vertical Line Plateau	Vertical Compact	AluStyle Plus	AluSoft	AluSoft-E
	9180027	Set for top connections	•	•	•			
	9180647	Spare J-bracket (set à 2 pcs.) height 1800mm	•	•	•			
	9180648	Spare J-bracket (set à 2 pcs.) height 2000mm	•	•	•			
	9180649	Spare J-bracket (set à 2 pcs.) height 2200mm	•	•	•			
	9189229	Stainless steel towel bar for 400mm width	•	•	•			
	9189230	Stainless steel towel bar for 500mm width	•	•	•			
	9189231	Stainless steel towel bar for 600mm width	•	•	•			
	9189232	Stainless steel towel bar for 700mm width	•	•	•			
	9180658	Magnetic towel bar 450mm, white	•	•				
	9180659	Magnetic towel bar 450mm, Chrome	•	•				
	9189311	Magnetic towel bar 550mm, white	•	•				
	9189313	Magnetic towel bar 550mm, Chrome	•	•				
	9728926	Spare radiator plugs for AluStyle Plus				•		
	9728936	Spare mounting kit for AluStyle Plus				•		
	9728909	Spare plug set for AluSoft					•	
	9728908	Spare mounting kit for AluSoft					•	•
	9728939	Towel bar for AluStyle Plus 240mm				•		
	9728932	Towel bar for AluStyle Plus 320mm				•		
	9728930	Towel bar for AluStyle Plus 400mm				•		
	9728941	Towel bar for AluStyle Plus 480mm				•		
	9728914	Towel bar for AluSoft 240mm					•	
	9728910	Towel bar for AluSoft 360mm					•	•
	9728913	Towel bar for AluSoft 480mm					•	
	9721611	Thermostat dial M30 x 1,5 white	•	•	•	•	•	

Towel radiators





Core-4

The Thermrad Core-4 is the basic model within Thermrad's towel radiator series. This type of radiator has 4 connections and is available in the color white (RAL 9016) in 8 different dimensions.

This towel radiator is also available in a chromed model for an extra luxurious look and feel. The Thermrad Core-4 in chrome is available in 2 sizes.

The Thermrad Core-4 towel radiators are delivered including mounting materials and radiator plugs.

Heat emission

Material

Max. work pressure

Colors

Connections

Heights

Lengths

Warranty

Delivered including

According to the European Standard EN442

Steel

10 bar

White RAL 9016 and chrome

4x 1/2" connections

764 – 1172 – 1750 mm

500 – 600 – 750 mm

Center-to-center size: Length +/- 44 mm

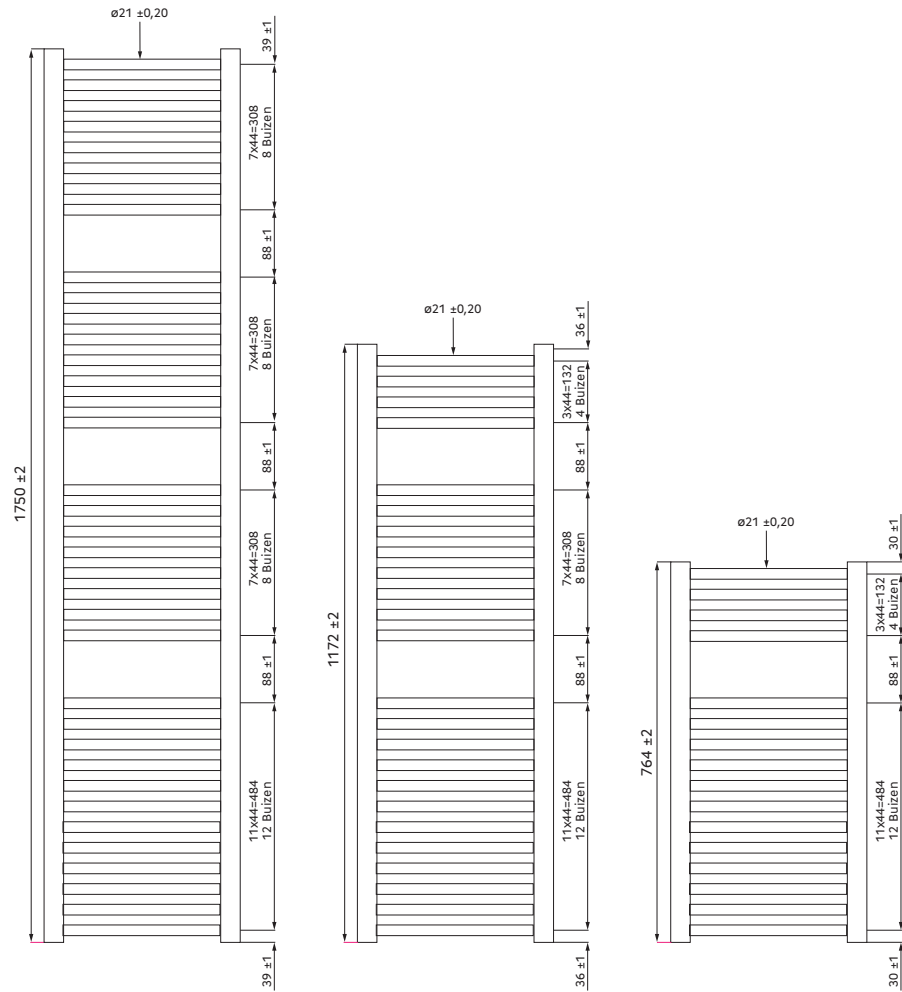
10 years on manufacturing errors, only when the radiator is used under normal circumstances in a heating system using warm water

- Mounting brackets
- Hexagon head wood screws and wall plugs
- Blind plug and air vent

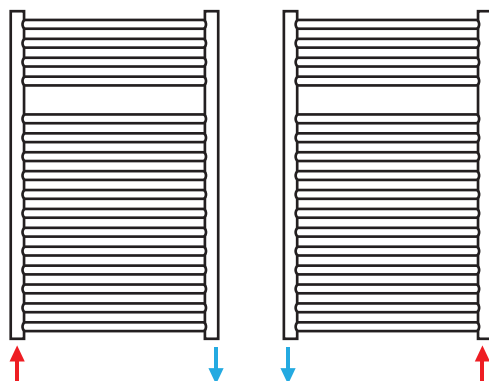
Heat emission

		Wit			Chroom		
		Watt			Watt		
		EN442 55/45/20° C			EN442 55/45/20° C		
		EN442 75/65/20° C			EN442 75/65/20° C		
Height	Length	Order No.			Order No.		
764	500	9726094	373	190			
	600	9726095	438	223			
1172	500	9726096	563	287	9726104	373	190
	600	9726097	662	338	9726105	436	222
	750	9726098	806	411			
1750	500	9726099	821	419			
	600	9726100	964	492			
	750	9726101	1174	599			

Dimensions



Connections







Core-6

The Thermod Core-6 towel radiator is available in 7 different sizes in the color white (RAL9016). This basic model has 6 connections, making it universally usable. All Thermod towel radiators with D-profile collectors and horizontal round pipes are ideal for any bathroom. The included plastic cap gives the center-base connection a neat finish.

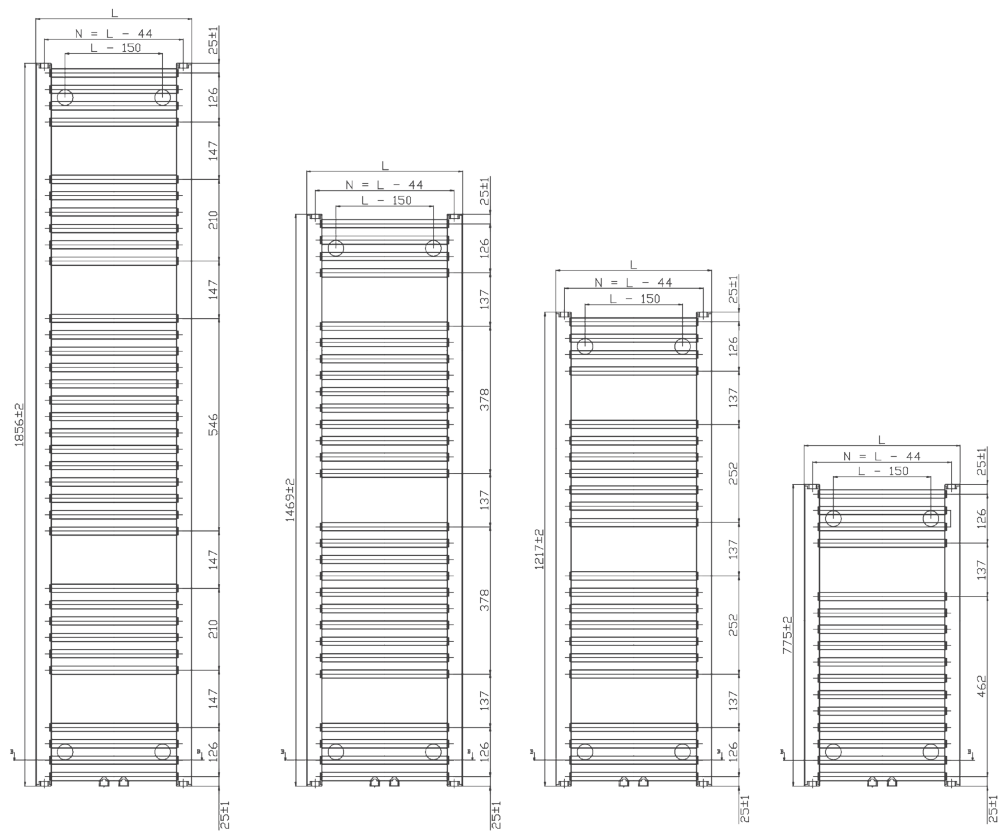
The Thermod Core-6 towel radiators are delivered including mounting materials and radiator plugs.

Heat emission	According to the European Standard EN442
Material	Steel
Max. work pressure	10 bar
Color	White RAL 9016
Connections	4x 1/2" connections 2x 1/2" center-base connections c.t.c. 50 mm
Heights	775 – 1217 – 1469 – 1856 mm
Lengths	500 – 600 mm Center-to-center size: Length +/- 44 mm
Warranty	5 years on manufacturing errors, only when the radiator is used under normal circumstances in a heating system using warm water
Delivered including	<ul style="list-style-type: none"> • Mounting brackets • Hexagon head wood screws and wall plugs • Blind plug and air vent • Plastic cap for center-base connections

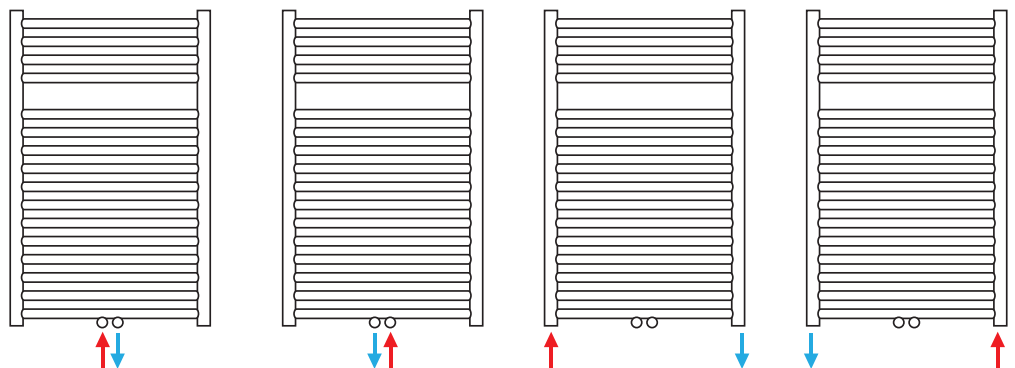
Heat emission

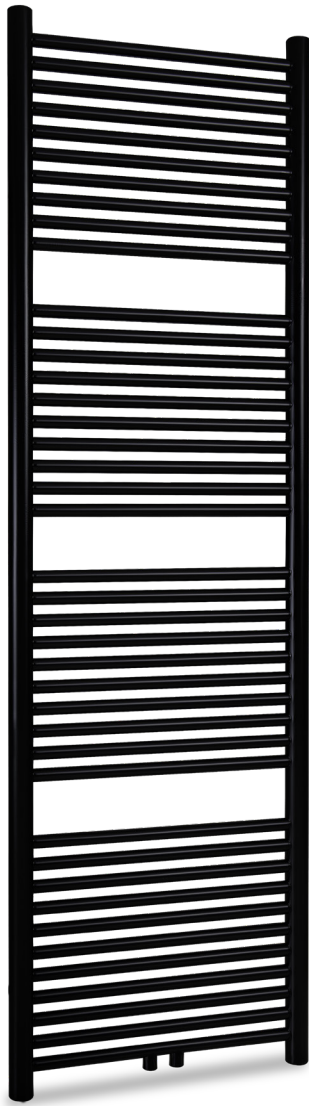
		White		
		Watt		
		EN442 55/45/20 °C		
		EN442 75/65/20 °C		
Height	Length	Order No.		
775	500	9201014	358	183
	600	9201015	512	261
1217	500	9201016	598	305
	600	9201017	631	322
1469	500	9201018	740	377
	600	9201019	788	402
1856	500	9201020	925	472
	600			

Dimensions



Connections





Tone

The Thermrad Tone towel radiator is always 550mm wide and available in 3 heights. This beautiful towel radiator has standard 6 connections making it universally deployable.

The Tone distinguishes itself by welded-on mounting brackets which are hidden from view at the back of the collector tubes.

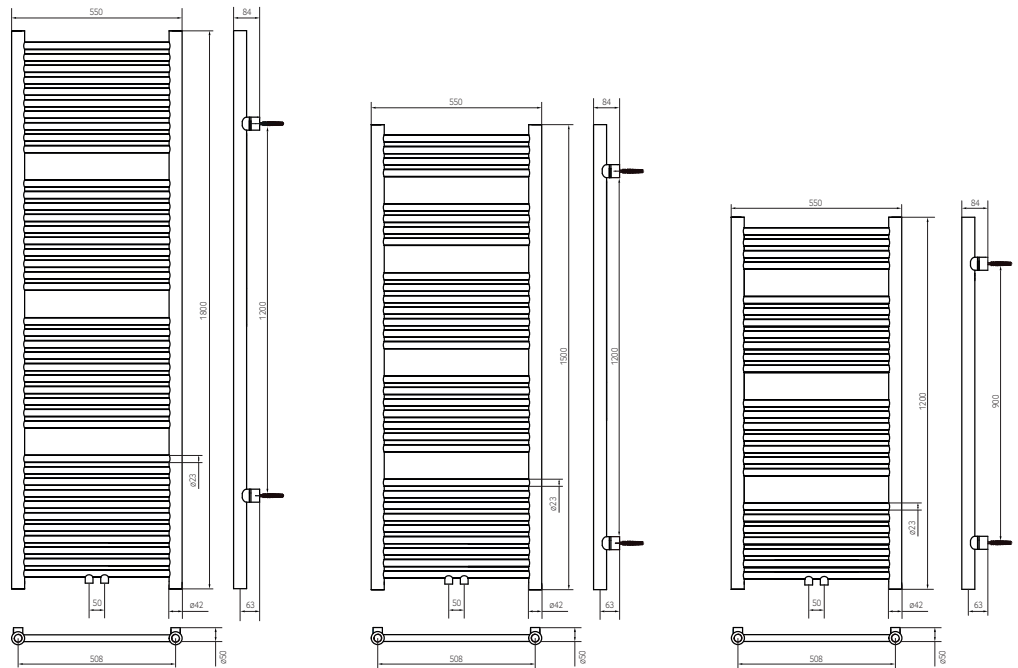
Available in white (RAL 9016) and matt black, which perfectly match the current sanitary trend!

Heat emission:	According to European Standard EN442
Material:	Steel
Maximum operating pressure:	10 bar
Colors:	White Ral 9016 & matt black
Connections:	4x side connection 1/2" 2x base-connection (right 1/2" c.t.c. 50mm)
Heights:	1200 - 1500 - 1800 mm
Length:	550mm
C.t.c. distance:	Length +/- 42mm
Warranty:	10 years against manufacturing defects, if the radiator is used under normal conditions in a heating system
Delivered including:	<ul style="list-style-type: none"> • Mounting brackets • Screws and plugs • Blind and air vent plugs in radiator design • Coloured cover caps for blind and air vent plugs • Template with drill holes for easy fixing

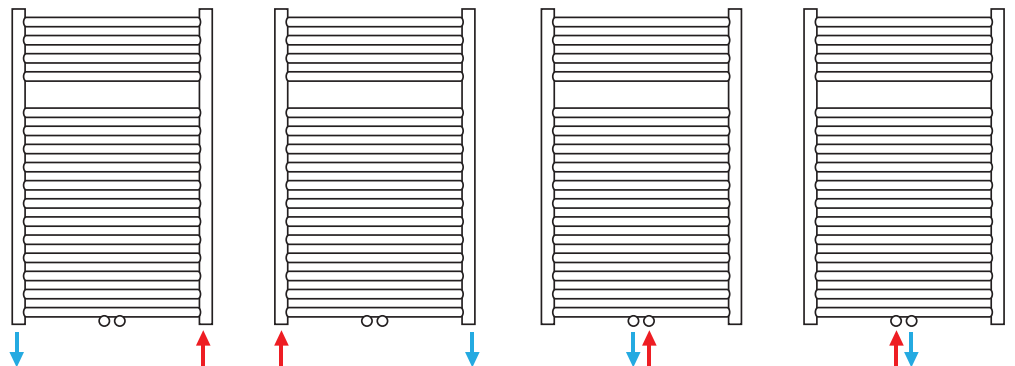
Heat emission

		White			Matt black		
		Watt			Watt		
		EN442 55/45/20 °C			EN442 55/45/20 °C		
		EN442 75/65/20 °C			EN442 75/65/20 °C		
Height	Length	Order No.			Order No.		
1200	550	9200084	580	349	9200080	580	349
1500	550	9200081	721	433	9200082	721	433
1800	550	9200087	936	558	9200085	936	558

Dimensions



Connections





Lina

The Thermrad Lina towel radiator is constructed from stainless steel (so it doesn't rust!) and has an attractive esthetic appearance. The Thermrad Lina has a near invisible center-based connection, finely concealed in the lower radiator pipe. The attachment points for this radiator are neatly designed and placed. A perfect fit for your towel every time! Because the Lina isn't painted, rust or peeling off paint is out of the question. Therefore, this is the only radiator that allows you to directly dry your towel. This radiator is available in high gloss, polished stainless steel and in brushed matte stainless steel.

High gloss, polished
stainless steel



Brushed matte
stainless steel



Heat emission

Material

Max. work pressure

Colors

Connections

Heights

Lengths

Warranty

Delivered including

According to the European Standard EN442

Stainless steel 304

6 bar

High gloss, polished stainless steel and brushed matte stainless steel

4x 1/2" connections

2x 1/2" center-base connections c.t.c. 50 mm

1200 and 1600 mm

500 and 600 mm

Center-to-center size: Length +/- 32 mm

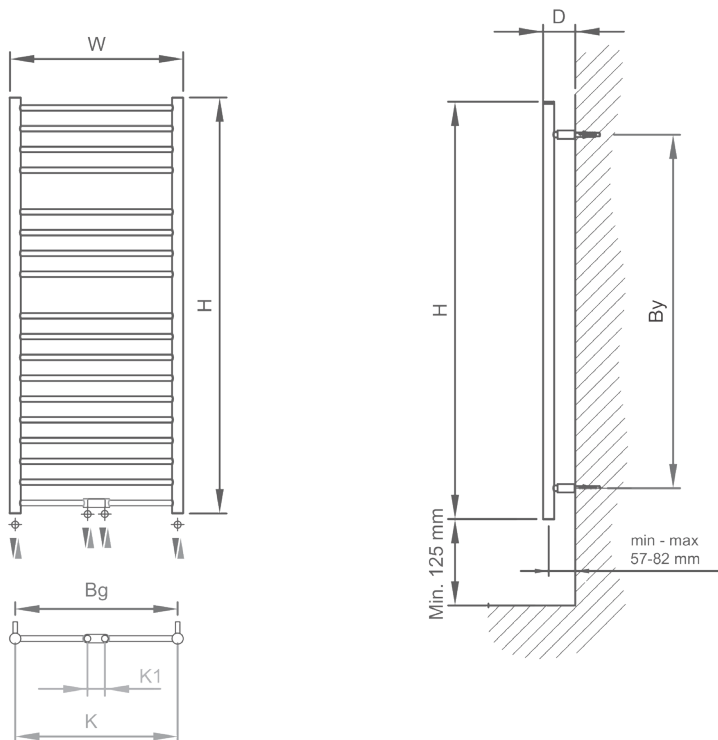
15 years on manufacturing errors, only when the radiator is used under normal circumstances in a heating system using warm water

- Mounting brackets
- Hexagon head wood screws and wall plugs
- Blind plug and air vent

Heat emission

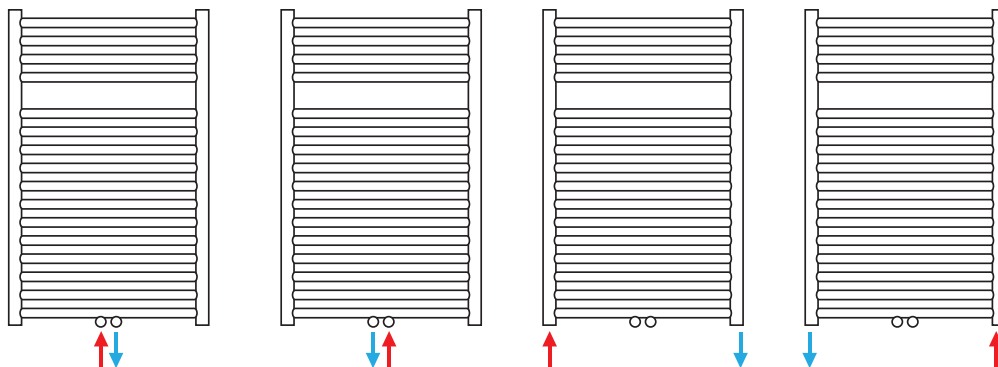
		Matte			High Gloss		
		Watt			Watt		
		EN442 55/45/20 °C			EN442 55/45/20 °C		
		EN442 75/65/20 °C			EN442 75/65/20 °C		
Height	Length	Order No.			Order No.		
1200	500	9790015	266	136	9790016	266	136
	600	9790017	304	155	9790018	304	155
1600	500	9790019	345	176	9790020	345	176
	600	9790021	393	200	9790022	393	200

Dimensions



W	H	D	K	K1	BG	By
500	1200	73-98	468	50	468	1020
600	1200	73-98	568	50	568	1020
500	1600	73-98	468	50	468	1420
600	1600	73-98	568	50	568	1420

Connections





Core-E



The Thermrad Core-E, an electric towel radiator, is a stylish way to save on energy, installation and maintenance. An environmentally friendly alternative, especially when using 'green' solar power. Easy to install in any kind of bathroom. All you need is a wall socket. Color white, RAL 9016 and available in 300 W, 500 W, 750 W and 1000 W models, complete with digital programmable room thermostat with various options.



Heat emission

Material

Color

Heights

Width

Warranty

Delivered including

Technical specifications

According to the Ecodesign 2018 guideline (EU regulation 2015/1188)

Steel

White RAL 9016

918 - 1177 – 1806 mm

500 mm

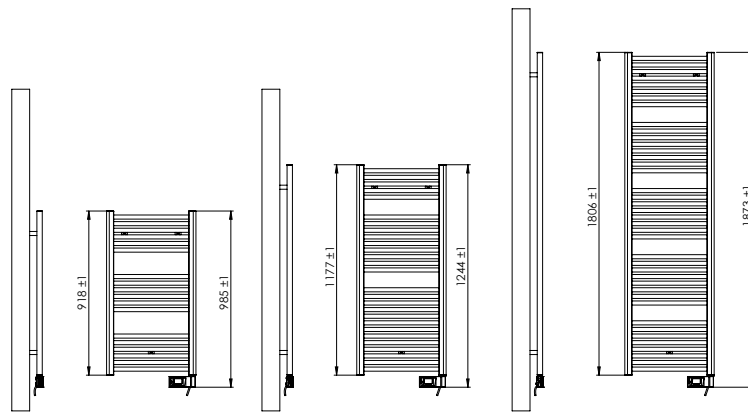
10 years on radiator manufacturing errors and 2 years on electrical parts

- Prefilled with heating fluid
- Thermostat incl. 140 cm cable with plug
- Mounting brackets
- Screws and plugs
- Mains voltage 220-240V ~50Hz
- IP44: protected against splash water
- Class II: double insulated
- CE-marked

Digital thermostat

- 4 operating modes: Auto - Comfort - ECO – Frost protection
- Week program with 30 minute steps: 9 preset programs and 4 custom programs
- Open window detection, engages frost protection at significantly low temperatures
- Be right back function
- 'Fil Pilot' communication function
- 'Timer' (boost) function
- EEPROM-memory: remembers product configuration in the event of power loss
- System settings menu

Dimensions



Heat emission

Type		White	
Height	Length	Order No.	Watt
918	500	9728947	500
1177	500	9728948	750
1806	500	9728949	1000



Tone-E



The Thermrad Tone-E, an electric design towel radiator, is a stylish way to save on maintenance, installation and energy consumption. An environmentally friendly alternative, especially if the energy in your home is generated 'green' with solar energy. Very easy to connect in any bathroom. All you need is a wall socket.

The Tone-E is distinguished by the beautiful welded-on mounting brackets, which are concealed out of sight at the back of the collector tubes. Available in white (RAL 9016) and matt black in 600 & 900 Watt versions, complete with digital, programmable thermostat with various setting options.



Heat emission:	According to the Ecodesign 2018 standard (EU regulation 2015/1188)
Material:	Steel
Color:	White RAL 9016 and matt black
Heights:	1200 - 1800mm
Length:	550mm
Warranty:	10 years on manufacturing defects of the radiator and 2 years on electrical components
Delivered including:	<ul style="list-style-type: none"> • Pre-filled with heating fluid • Thermostat incl. cable (130 cm) with plug • Mounting brackets • Screws and plugs • Template with drill holes for fixing
Technical data:	<ul style="list-style-type: none"> • Mains voltage 220-240V ~50Hz • IP44: protected against splash water • Class II: double insulated • CE-marked

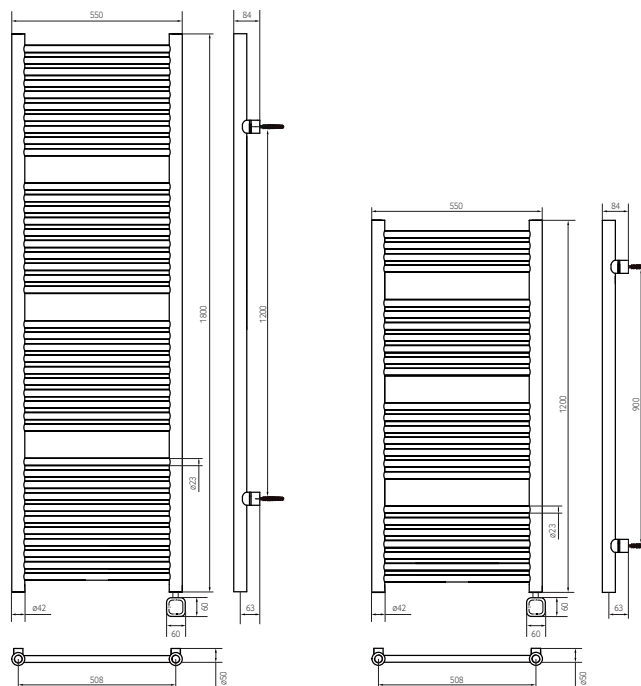
Digital thermostat

- Operating modes: Comfort - ECO - Frost-protection - Clock & Boost
- Weekly programme: can be set for each day at any time via memory function
- Open window detection: in case of significant temperature drop, activation of the frost protection until the temperature stabilizes
- Child safety lock
- Control via wifi with Tuya app

Heat emission

Height	Length	White		Matt black	
		Order No.	Watt	Order No.	Watt
1200	550	9200083	600	9200088	600
1800	550	9200079	900	9200086	900

Dimensions



Accessories towel radiators



Order No.	Description	Core-4	Core-6	Tone	Lina	Core-E	Tone-E
9728944	Mounting kit white	•					
9728945	Mounting kit chrome	•					
9200021	Spare mounting kit Basic White RAL 9016		•				
9200023	Spare cap center-base connection white		•				
9728942	Mounting kit high gloss				•		
9728943	Mounting kit matte				•		
9728959	Mounting kit white					•	
9200094	Mounting kit white			•			•
9200093	Mounting kit matt black			•			•
9200096	Cover cap set (4x white)			•			•
9200091	Cover cap set (4x matt black)			•			•
9200090	Spare thermostat white						•
9200097	Spare thermostat matt black						•
9200092	H-block set white (angled)			•			
9200095	H-block set matt black (angled)			•			

* Set including thermostat knob, compression fittings 16x2 + 15mm, double rosette and pipecover



Underfloor heating

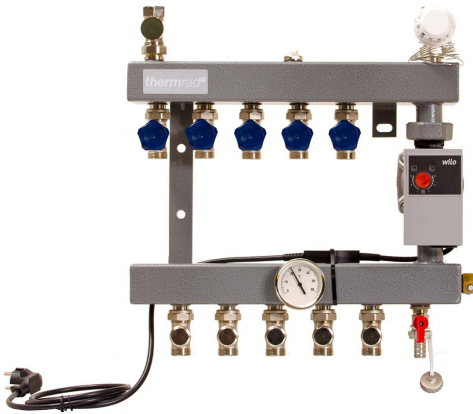


Underfloor heating distributors

The distributor or control unit is the beating heart of any underfloor heating system, making sure the right amount of water with the perfect temperature is distributed over each room and/or group. We offer a broad range of composite (synthetic) and steel distributors for every situation. They are suitable for main as well as additional heating.

It's also possible to order a custom underfloor heating distributor, designed for your situation. For use with district heating, for example. Or a distributor for a 3 or 4 pipe system. Just ask us about the possibilities!

Underfloor heating distributor Standard



The easy to install basic steel distributor is the most used model. It has an integrated, energy saving, A-label pump in the merging pipe between the inlet and outlet bar. The thermostatically prepared valves and multifunctioning foot valves on each group, ensure double locking and adjustability of the underfloor heating.

This edition can only be used for heating. A special 1-group mini model is available for small (built-in) rooms, like a bathroom or fuse box (order No. 9290216).

Installation dimensions (mm)

Model	Width	Height	Depth	Order No.
1-groeps	250	440	180	9290246
2-groeps	250	440	180	9290247
3-groeps	310	440	180	9290248
4-groeps	370	440	180	9290249
5-groeps	430	440	180	9290250
6-groeps	490	440	180	9290251
7-groeps	550	440	180	9290252
8-groeps	610	440	180	9290253
9-groeps	670	440	180	9290254
10-groeps	730	440	180	9290255
11-groeps	790	440	180	9290256
12-groeps	850	440	180	9290257
13-groeps	910	440	180	9290259
14-groeps	970	440	180	9290575
15-groeps	1030	440	180	9290576
16-groeps	1090	440	180	9290577

Others on request

Application: main and additional heating

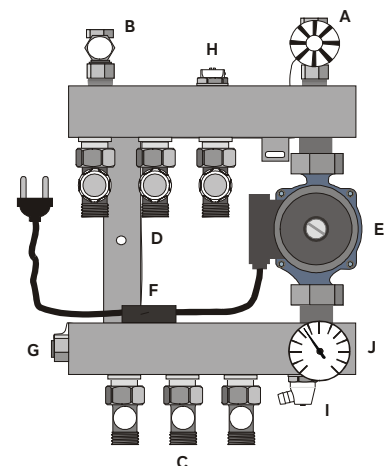
Type: standard hydraulically neutral assembly, suitable for HR boilers

The group's inlet and outlet are on top of each other instead of behind each other, ensuring easy access when installing

- A. Thermostat valve with control element - inlet central heating
- B. Foot valve - outlet central heating
- C. Foot valve - inlet underfloor heating (euroconus connection)
- D. Thermostatically prepared group valve - outlet underfloor heating (euroconus connection)
- E. Circulation pump, energy saving
- F. Thermal safety switch
- G. Dip tube + sensor with capillary
- H. Air vent
- I. Siphon
- J. Temperature gauge

Options

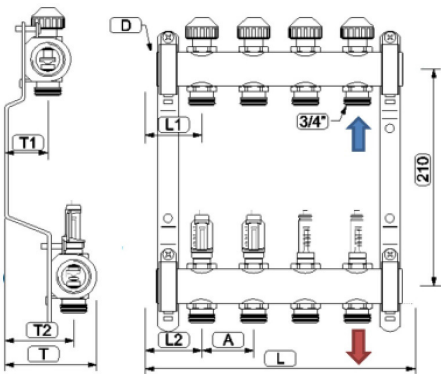
- Flow meters on every group (order No. 9290045)



Distributor underfloor heating Brass with flow meters, without pump



Brass distributors come without a pump, making them ideal for installation within a heat pump system. The flow meters, preassembled on the (lower) inlet bar, allow you to simply look into the flow numbers per group. The (upper) outlet bar is fitted with thermostatic valves M30 x 1,5 and can be equipped with Thermod thermal engines per group. The high end brass distributors are suitable for systems with underfloor heating and cooling. They are delivered with an end set for filling and draining, mounting brackets and flow meters. The 1" ball valve can be used for connection to the installation. The brass distributor can also be expanded with a pump group.



Application: main/additional heating and cooling
Type: distributor/collector, high quality brass

Options

- Ball valve 1" external thread (order No. 9290273)
- Pump group (order No. 9290668)
- Spare end set (order No. 9290667)

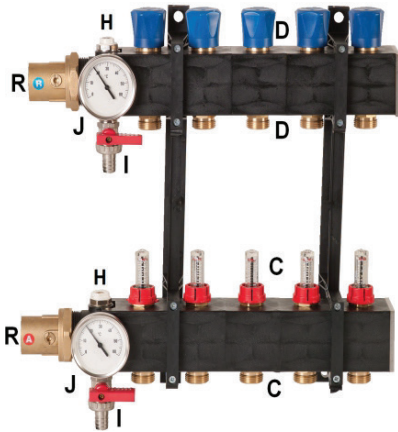
	D	mm
T1	1" internal thread	37mm
T2	1" internal thread	62mm
T	1" internal thread	83mm

A	L1	L2
50mm	35mm	35mm

Groups	Order No.	L (mm)
2	9290655	120
3	9290656	170
4	9290657	220
5	9290658	270
6	9290659	320
7	9290660	370
8	9290661	420
9	9290662	470
10	9290663	520
11	9290664	570
12	9290665	620

Distributor underfloor heating Composite Industrial

The synthetic distributors are made from high quality composite material, allowing heating and cooling without condensation. The easy-to-install units are made up of modular inlet and outlet elements, making it easy to expand the system for extra groups. All of the distributors are equipped with high grade materials, including thermostatically prepared valves (adjustable and lockable), flow meters and thermometers. This system is perfect in combination with a heat pump system, that's why this distributor comes without a pump. The flow meters, preassembled on the (lower) inlet bar, allow you to simply look into the flow numbers per group. This model has 1" ball valves on the inlet and outlet bar.



Installation dimensions (mm)

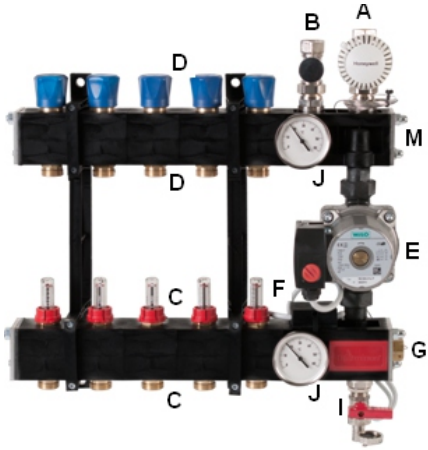
Model	Width	height	Depth	Order No.
1-groeps	170	480	170	9290390
2-groeps	230	480	170	9290391
3-groeps	290	480	170	9290392
4-groeps	350	480	170	9290393
5-groeps	410	480	170	9290394
6-groeps	470	480	170	9290395
7-groeps	530	480	170	9290396
8-groeps	590	480	170	9290397
9-groeps	650	480	170	9290398
10-groeps	710	480	170	9290399
11-groeps	770	480	170	9290400
12-groeps	830	480	170	9290401
13-groeps	890	480	170	9290402
14-groeps	950	480	170	9290403
15-groeps	1010	480	170	9290404
16-groeps	1070	480	170	9290405
17-groeps	1130	480	170	9290406
18-groeps	1190	480	170	9290407
19-groeps	1250	480	170	9290408
20-groeps	1310	480	170	9290409

Application: main/additional heating and cooling
Type: distributor/collector, modular construction

The modular construction makes this distributor easy to install. It's assembled with adjustable/lockable thermostatically prepared valves, adjustable/lockable flow meters 0-300 l/h, temperature gauges and ball valves on the inlet and outlet bar.

- C. Secondary inlet with lockable/adjustable flow meter 0-300 l/h (3/4 euroconus connection)
- D. Secondary outlet valve M30 x 1.5 thermostatically prepared adjustable/lockable (3/4 euroconus connection)
- H. Air vent
- I. Filling/draining faucet
- J. Temperature gauge
- R. Ball valves 1" on inlet and primary outlet

Distributor underfloor heating Composite LTV sustainable



The synthetic distributors are made from high quality composite material, allowing heating and cooling without condensation. The easy-to-install units are made up of modular inlet and outlet elements, making it easy to expand the system for extra groups. All of the distributors are equipped with high grade materials, including thermostatically prepared valves (adjustable and lockable), flow meters and thermometers. This model is the most complete and energy saving distributor within the assortment and designed especially for heating with low water temperatures.

Application: main/additional heating and cooling

Type: hydraulically adjustable, modular construction

With the model LTV sustainable, the control valve can be used to adjust the amount of outlet water. By closing the control valve "M", a difference in pressure is created and the distributor becomes hydraulically active. This model is always assembled with thermostatically prepared adjustable/lockable valves and adjustable/lockable flow meters 0-300 l/h.

Installation dimensions (mm)

Model	Width	Height	Depth	Order No.
1-groeps	210	480	170	9290579
2-groeps	270	480	170	9290580
3-groeps	330	480	170	9290581
4-groeps	390	480	170	9290582
5-groeps	450	480	170	9290583
6-groeps	510	480	170	9290584
7-groeps	570	480	170	9290585
8-groeps	630	480	170	9290586
9-groeps	690	480	170	9290587
10-groeps	750	480	170	9290588
11-groeps	810	480	170	9290589
12-groeps	870	480	170	9290590
13-groeps	930	480	170	9290591
14-groeps	990	480	170	9290592
15-groeps	1050	480	170	9290593
16-groeps	1110	480	170	9290594

Andere op aanvraag

- A. Inlet primary thermostat valve with control element 10°C to 60°C
- B. Outlet primary foot valve + ventilation and filling/draining function
- C. Secondary inlet with lockable/adjustable flow meter 0-300 l/h (3/4 euroconus connection)
- D. Secondary outlet valve M30 x 1.5 thermostatically prepared adjustable/lockable (3/4 euroconus connection)
- E. Circulation pump
- F. Thermal safety switch
- G. Dip tube + sensor with capillary
- I. Filling/draining faucet
- J. Temperature gauge
- M. Control valve

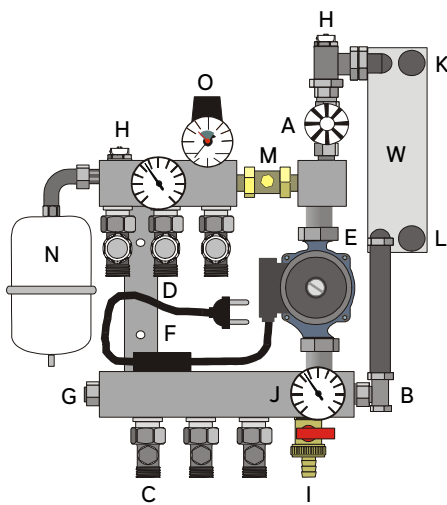
Distributor underfloor heating De Luxe, with separate systems



The model De Luxe with separate systems can be used when an installation is going to be renovated and the components on the primary side of the system (like the central heating boiler) have to be protected against corrosion. This distributor separates the underfloor heating from the rest of the heating system using a heat exchanger. This high quality underfloor heating distributor contains a stainless steel plate exchanger and a 2 liter stainless steel expansion tank. When using for cooling, a composite distributor has to be placed.

Application: main/additional heating and district heating

Type: hydraulically adjustable - balancing

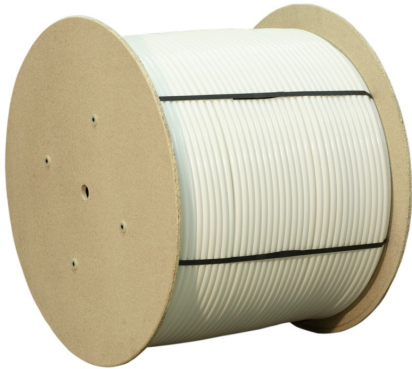


- A. Thermostat valve with control element - inlet heat exchanger
- B. Foot valve - outlet heat exchanger
- C. Nipple - inlet underfloor heating (euroconus connection)
- D. Thermostatically prepared group valve - outlet underfloor heating (euroconus connection)
- E. Circulation pump
- F. Thermal safety switch
- G. Dip tube + sensor with capillary
- H. Air vent
- I. Filling/draining faucet
- J. Temperature gauge
- K. Inlet heat source
- L. Outlet heat source
- M. Check valve
- N. Stainless steel expansion tank
- O. Overflow valve with manometer
- W. Stainless steel heat exchanger

Installation dimensions (mm) | Composit

Model	Width	Height	Depth	Order No.
1-groeps	380	620	190	9290743
2-groeps	440	620	180	9290744
3-groeps	500	620	165	9290745
4-groeps	560	620	165	9290746
5-groeps	620	620	165	9290747
6-groeps	680	620	165	9290748
7-groeps	740	620	165	9290749
8-groeps	800	620	165	9290750
9-groeps	860	620	165	9290751
10-groeps	920	620	165	9290752
11-groeps	980	620	165	9290753
12-groeps	1040	620	165	9290754
13-groeps	1100	640	165	9290755
14-groeps	1160	640	165	9290756
15-groeps	1220	640	165	9290757
16-groeps	1280	640	165	9290758

Pipe underfloor heating | Floor

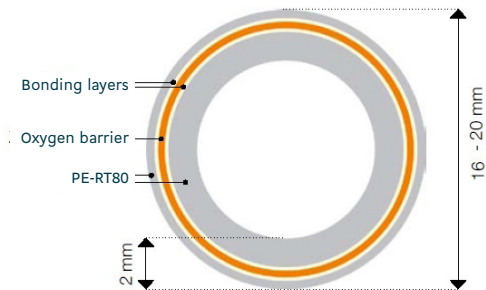


The Floor pipe is a 5-layer PE-RT 63 pipe, made from Midi-Soft synthetic material, making it extra flexible.

Starting from the outside of the pipe, it's manufactured like this:

- Thin PE-RT layer
- Adhesive layer
- Oxygen barrier
- Adhesive layer
- Thick PE-RT layer

Operating temperature = 50-70 °C / maximum temperature = 70-90 °C (1 year max) / peak temperature = 100°C (monumentary) with a maximum pressure of 6 bar. This makes the pipe suitable for underfloor heating only.



Order No.	Diameter	Roll length (meter)	On reel
9290311	16x2	120	
9290323	16x2	600	
9290312	16x2	600	X
9290178	16x2	1000	X
9290177	20x2	120	
9290003	20x2	500	

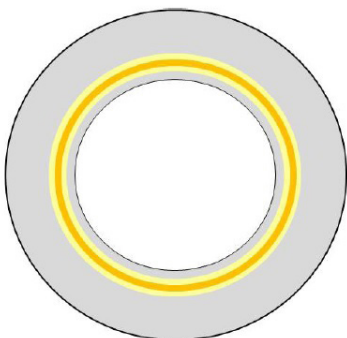
Pipe underfloor heating | Silverline Inverse



De Silverline Inverse is een hoogwaardige 5-laags kunststof PE-RT 80 buis, gemaakt van Dowlex-2344 materiaal. In tegenstelling tot veel andere vloerverwarming buizen, worden de 5 lagen in omgekeerde volgorde geproduceerd.

The thickest PE-RT layer is situated on the outer side of the pipe, with the following advantages:

- Improvement of the pipes flexibility, easier to twist and bend
- Better protection of the anti-diffusive EVOH layer during (re)placement
- Suitable for all kinds of fittings (press, screw and plug-in fittings)



The maximum temperature for the Silverline Inverse pipe is 95°C with a maximum pressure of 6 bar. This also allows the pipe to be used for connecting radiators.

Connections*

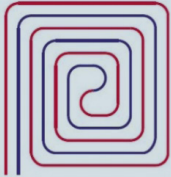
Order No.	Diameter	Roll length (meter)	On reel	Order No.	For tube	Internal thread
9290611	16x2	90		9290217	16x2	3/4" Euroconus
9290612	16x2	120		9290218	18x2	3/4" Euroconus
9290613	16x2	200		9290219	20x2	3/4" Euroconus
9290614	16x2	500	X	*These are the connections for the Floor and Silverline Inverse pipes		
9290615	16x2	600				

Assembly systems

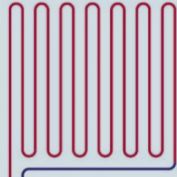
Underfloor heating assembly systems

Underfloor heating can be placed in different ways. The choice for the right assembly system partly depends on the existing insulation and whether it's placed in new/renovation projects or (non) residential buildings.

The most commonly used, economic and energy saving placement pattern is the so called Snail shell. This pattern provides a nice and even heat distribution in the space. Inlet and outlet pipes are placed next to each other in the shape of a snail shell. An alternative for spaces with cold outer walls or big windows is the Meander pattern. In this case, the first part of the pipe has to run along the coldest wall.



Slakkenhuis legpatroon

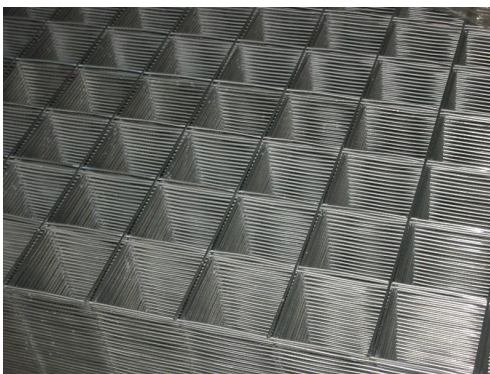


Meander legpatroon

In general, a 10 cm distance between the pipes is advised for main heating and 15 cm for additional heating.

We have a suitable solution for every situation and can help you make a placement plan (drawing) or help you calculate the heat loss ratio for a project.

Underfloor heating assembly systems Carrier mats



When a new floor is placed, the carrier mat system is a much used application. The steel wire meshes are placed on the construction floor, on top of foil or insulation plates. The pipe is then connected to the steel mesh using straps before covering it up with the screed.

This assembly system for underfloor heating is known for its low installation height and is ideal for covering large areas.

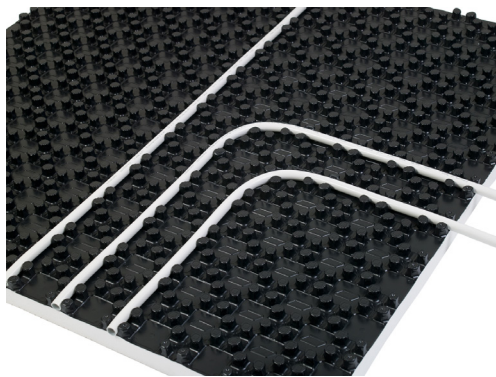
The galvanized steel mats with a wire diameter of 3.15 mm are available in 2 different types:

Grid 100 x 100 mm (dimensions 2100 x 1200 mm) 2.5m² (order No. 9290671)

Grid 150 x 150 mm (dimensions 2100 x 1200 mm) 2.5m² (order No. 9290047)

Underfloor heating assembly systems

Studded plates



The heavy duty studded plates with solid studs are easy to connect to each other and can be placed seamlessly. The 1m² plates are available in 3 different types and can easily be assembled by one person.

The studded plates are placed on the construction floor and attached together. Then the underfloor heating pipe (diameters 14 to 16 mm) is pressed into the studs, after which the screed is placed.

When assembled in straight lines, the placement distance between the pipes can be 50 mm or more, in 50 mm steps. When assembled diagonally, the steps are 70 mm.

Without insulation

Dimensions 1000 x 1000 x 18 mm (L x W x H)

Load capacity 75 kN/m²

Packed per 20 pc. (= 20 m²)

Order No. 9290197

With 11 mm insulation

Dimensions 1000 x 1000 x 29 mm (L x W x H)

Load capacity 60 kN/m²

Insulation value / R-value 0,314 m² k/W

Packed per 10 pc. (=10 m²)

Order No. 9290061

With 35 mm insulation

Dimensions 1000 x 1000 x 53 mm (L x W x H)

Load capacity 5 kN/m²

Insulation value / R-value 0.778 m² k/W

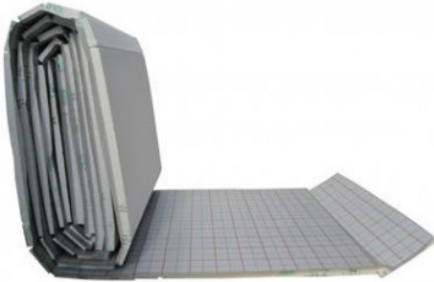
Acoustic insulation 28 db

Packed per 10 pc. (=10 m²)

Order No. 9290062

- Assembly by 1 person
- Available as single plate or laminated with 11 mm or 35 mm PST insulation
- Heat and sound insulations
- Heavy duty (because of the solid studs)
- Seamless placement
- Pipe placement in steps of 50 mm when installing in a straight line
- Pipe placement in steps of 70 mm when installing diagonally
- Easy to connect to each other
- CFK free, so environmentally friendly
- Suitable for pipes Ø 14 x 2.0 and 16 x 2.0
- Color: black
- Complies with DIN 4108-10, DIN 4102 T1, and DIN 18164
- Vapor proof according to DIN 18560-3 and DIN 1264, protected against water and floor mixing moisture

Underfloor heating assembly systems Tacker plates



The flat insulating plates used in the tacker system are available in 10 meter rolls with an insulation thickness of 20 mm or 30 mm.

A top layer of foil protects the system against ripping, with a 50 mm grid pattern. The insulation plate is placed on the construction floor, after which the pipes can be connected with tacker clips and the screed can be placed on top. A tacker machine and tacker machine can be ordered separately.

An extra flap makes it possible for the insulation plates to be overlapped.

Turbo-Roll tacker plate EPS-DESt WLG045t B1

- Very easy to place
- Complies with DIN 4108-10 DIN4102
- With laminated, rip protection woven foil
- With printed grid 100 x 100 mm (extra grid line at 50 mm)
- With extra flap for overlapping
- H-FCKW free

Capacity: 4,0 kN/m², TSM 28- 34 dB(A)

Dimensions: 10,000 x 1,000 = 10 m²

Thickness	R-Value	On reel of	Order No.
20-2	0,5 m ² IK/ W	10m ²	9290071
30-3	0,7 m ² IK/ W	10m ²	9290072

Control system

Thermrad RF wireless control system

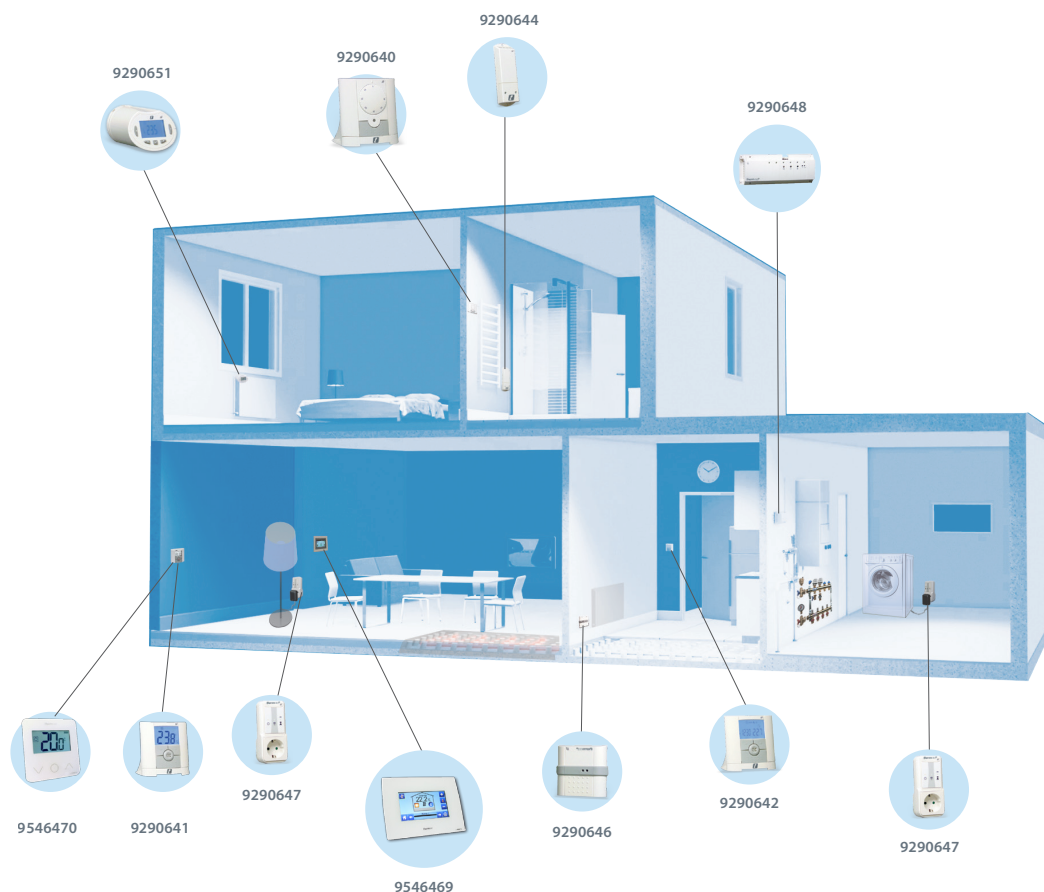
Optimal climate comfort

The Thermrad RF control system allows you to control the temperature per room with a space thermostat or thermostatic head(s). This can help you save on your heating bill, because unused rooms won't be unnecessarily heated.

You can even use the system to cool your house, when using a heat pump for example. The system includes a full assortment of wireless mechanisms, functioning in harmony together. This way, it's easy to use the system within new or renovated systems, without having to brake walls.

Ready for the future

It's easy to stay in charge with this control system. Whether you want to control 3 rooms or 50 spaces. The system is compatible with all kinds of heating types, like radiators, under floor heating, electric radiators and electric floor heating.





You can also use the plug-in receiver to make an on/off switch for any electrical component with a plug, lighting for example. You can control and operate the system with a central touchscreen unit (WIFI) and a free app, downloadable for iOS and Android.

- Central touchscreen unit. Full color 4.3"
- Power supply 230V/50Hz or USB (cable optional)
- RF-communication 868 MHz with WATTS-Protocol
- WIFI-communication (2,4 GHz) for smartphone and tablet (iOS, Android) and webpages
- 50 spaces (heating, lighting, on/off switches)
- Various possibilities for expansion and operation
- Free apps (iOS, Android)
- Local access and remote access via webpage
- Intuitive, plug and play. Automatic synchronization with connected devices
- Day programs
- Multilingual support. Upgrades and updates via micro SD Card (optional)

Do you want to learn more about the possibilities and components?
Reach out to your contact person for Thermrad's heat solutions.



thermrad 

www.thermrad.eu